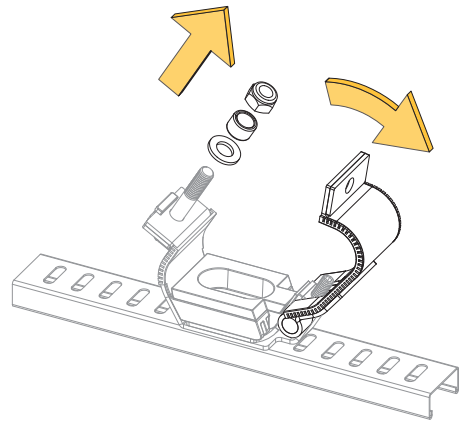
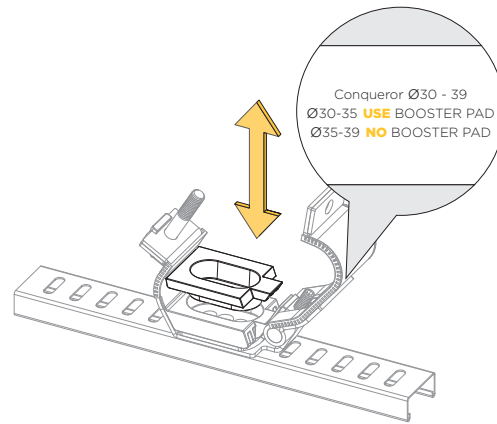


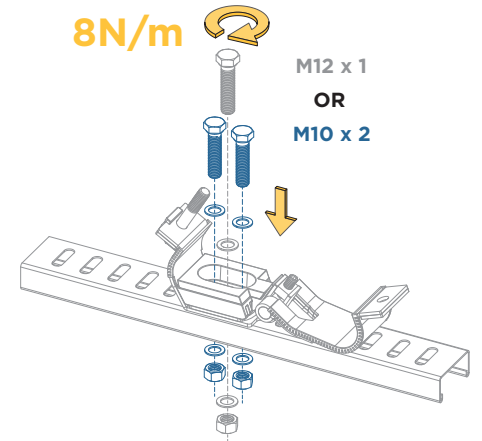
1. PLACE CLEAT ON MOUNT SURFACE



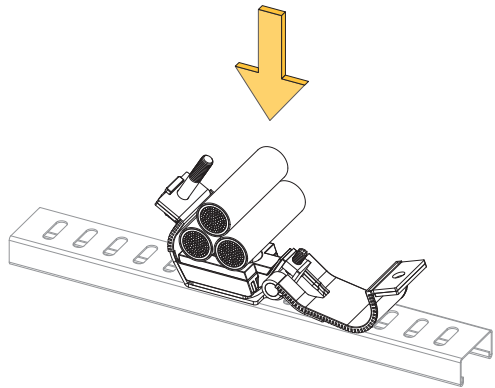
2. UNHINGE CLEAT ARM



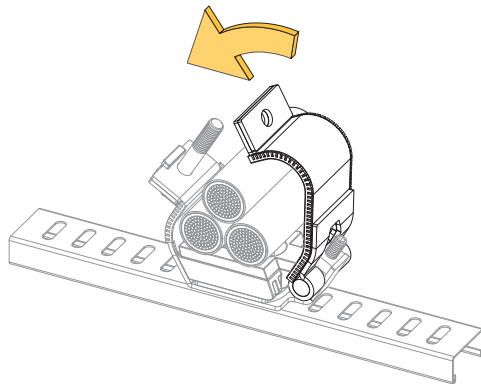
3. INSERT BOOSTER PAD AS REQUIRED



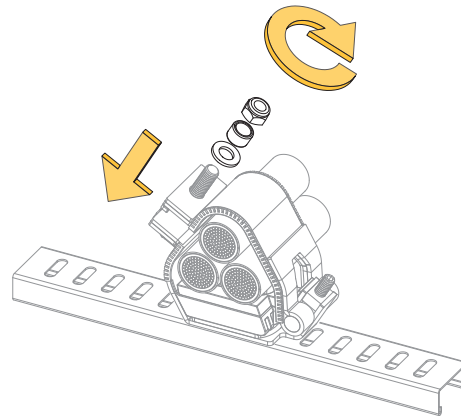
4. SECURE CLEAT TO MOUNT SURFACE



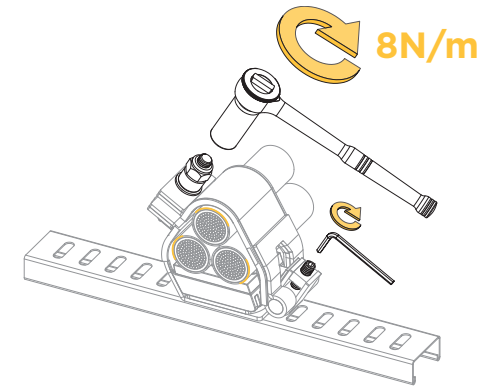
5. LAY CABLES IN CLEAT



6. CLOSE CLEAT ARM



7. LIGHTLY TIGHTEN MOUTH BOLT NUT

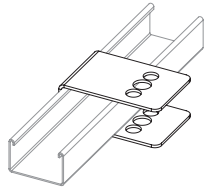


8a. ADJUST RANGE BOLT UNTIL ALL CABLES ARE CAPTURED

8b. FULLY TIGHTEN MOUTH BOLT NUT

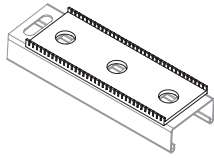
## ACCESSORIES

### C-clamp



For use with un-slotted rungs.

### Separation Pad



Prevent galvanic corrosion between two dissimilar metals.

Contact CMP for more information regarding accessories and substrates.

## PPE



CAUTION: We strongly recommend wearing suitable PPE including anti cut gloves.

Please refer to local PPE regulations.

www.cmp-products.com

Tel: +44 (0) 191 265 7411

Fax: +44 (0) 1670 715 646

E-mail: customerservices@cmp-products.com

Cable Cleat Specification							
Name	Type	Material	Certification	Size Range	Temp Range	Liner Type	Bolt(s)*
CONQUEROR	RTSS	Stainless Steel	IEC 61914	19 - 130mm in 16 sizes Trefoil Formation	-50°C to +60°C	Low Smoke & Fume (LSF) Zero Halogen (LSOH) & Phosphorus Free Polymer	2 x Outer M10 or 1 x Central M12

All products are short-circuit tested. Please visit [www.cmp-products.com](http://www.cmp-products.com) for further details.

**Note:** Fixings not included. For more information on fixings please visit [www.cmp-products.com](http://www.cmp-products.com) and download the Cleat Fixing Pack data sheet. Any other queries please contact CMP via email [customerservices@cmp-products.com](mailto:customerservices@cmp-products.com).

There are no restrictions on the mounting orientation of the cleats.

\* The number of bolts used is based on individual site specification.

# RANGE-TAKING CABLE CLEAT

## CONQUEROR RTSS

