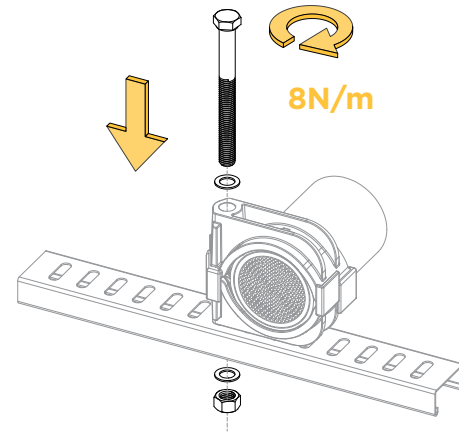
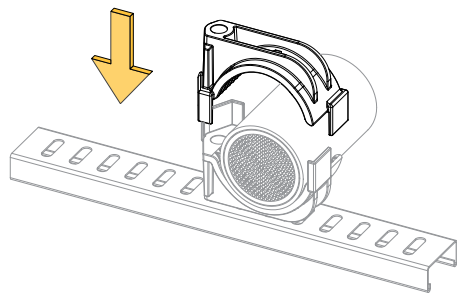
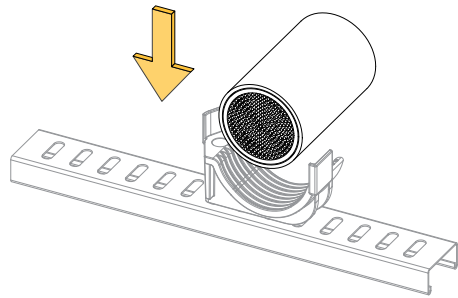
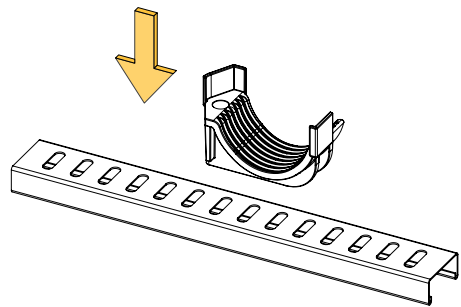


1-BOLT CLEATS



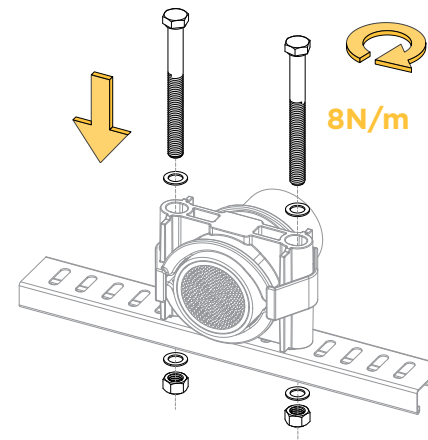
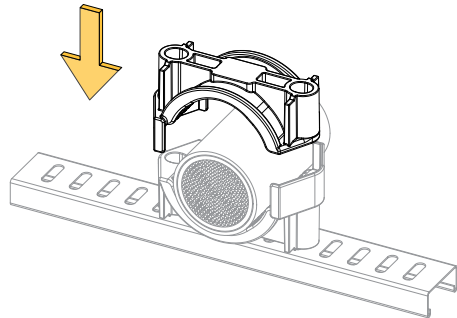
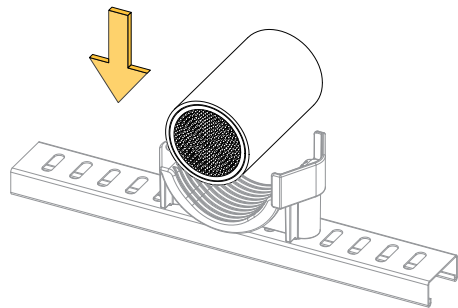
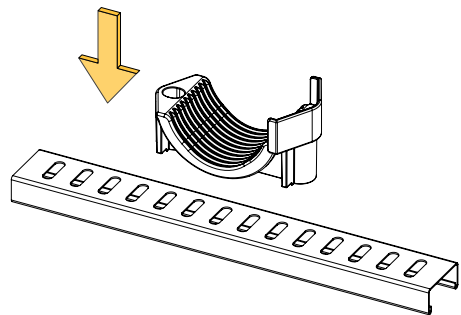
1. PLACE 1ST HALF OF CLEAT ON MOUNT SURFACE

2. LAY CABLE IN CLEAT

3. PLACE 2ND HALF OF CLEAT OVER CABLE

4. SECURE CLEAT TO MOUNT SURFACE

2-BOLT CLEATS



1. PLACE 1ST HALF OF CLEAT ON MOUNT SURFACE

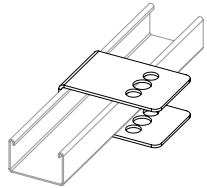
2. LAY CABLE IN CLEAT

3. PLACE 2ND HALF OF CLEAT OVER CABLE

4. SECURE CLEAT TO MOUNT SURFACE

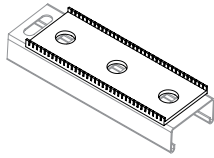
ACCESSORIES

C-clamp



For use with un-slotted rungs.

Separation Pad



Prevent galvanic corrosion between two dissimilar metals.

Contact **CMP** for more information regarding accessories and substrates.

PPE



CAUTION: We strongly recommend wearing suitable PPE including anti cut gloves.

Please refer to local PPE regulations.

Cable Cleat Specification

Name	Type	Material	Certification	Size Range	Temp Range	Bolt(s)
SABRE	1BC	Available in Nylon, Low Smoke & Fume (LSF), V0 Nylon & LUL approved Polymer	IEC 61914	10 - 57 mm in 10 sizes	-40°C to +60°C	1 x M10
FALCON	2BC			38 - 135 mm in 8 sizes		2 x M10 OR M12
VALIANT	1BCAL	Aluminium	IEC 61914	10 - 71 mm in 12 sizes	-60°C to +150°C	1 x M10
ZENITH	2BCAL			38 - 151 mm in 9 sizes		2 x M10 OR M12
SOLACE	1BCHT	High Temp Stainless Steel	IEC 61914 BS8434 BS5839 BS8491 BSEN50200 UL 2239	10 - 71 mm in 12 sizes	-60°C to +250°C Standard Operating Temp	1 x M10
THEMIS	2BCHT			38 - 97 mm in 5 sizes		950°C for 2 hour excursion

All products are short-circuit tested. Please visit www.cmp-products.com for further details.

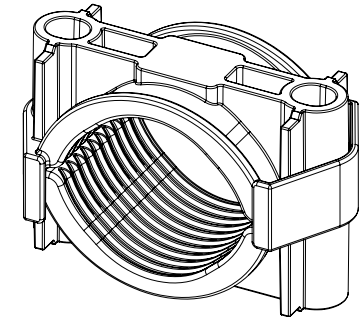
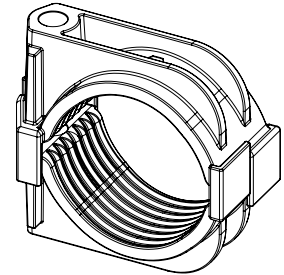
Note: Fixings not included. For more information on fixings please visit www.cmp-products.com and download the Cleat Fixing Pack data sheet. Any other queries please contact CMP via email customerservices@cmp-products.com.

There are no restrictions on the mounting orientation of the cleats.

1 & 2-BOLT CABLE CLEATS

SABRE 1BC
VALIANT 1BCAL
SOLACE 1BCHT

FALCON 2BC
ZENITH 2BCAL
THEMIS 2BCHT



www.cmp-products.com

Tel: +44 (0) 191 265 7411

Fax: +44 (0) 1670 715 646

E-mail: customerservices@cmp-products.com

© Copyright CMP Products Limited 2017. All rights reserved.

FI540 REV 2 11/18



**CLEAT FITTING
INSTRUCTIONS**