

SHVSS-JSC

Single high voltage stainless steel joint support cleat

The CMP SHVSS-JSC single joint support cleat is an extension to the range of SHVSS products, for the safe retention of high voltage cable joints. The range has been designed, constructed and tested in accordance with the International Standard IEC 61914: Cable cleats for electrical installations; to ensure the securing and retention of cable joints, without sustaining damage.

This product has a large internal diameter to accept a single cable joint, safely securing it in position after the jointing process is complete.

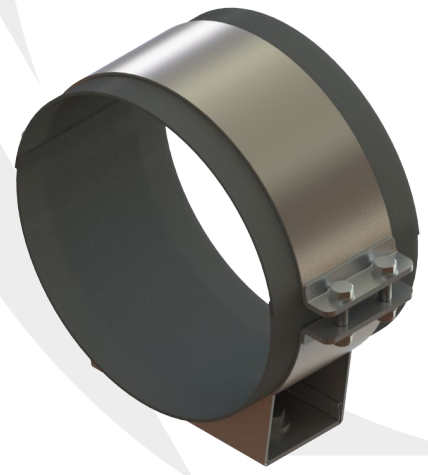
The SHVSS-JSC offers greater flexibility for the installer due to its ability to rotate around the base fixing locations. In addition to this, the SHVSS-JSC is designed with flexible metallic wraps, allowing the cleat to adapt to situations where it may be difficult to move or align the cable joints.

SHVSS-JSC cleats are fabricated in non-magnetic 316L stainless steel with Flame Retardant Low Smoke and Fume (FR LSF) fixed liners fitted as standard. These liners help to restrain the joints, providing a layer of protection to the joint surface and the cable cleat during operation, where thermal elongation of the cable may cause the joint to move.

The fixed liners also assist in the extra protection of cable joints in the event of short circuit fault conditions.

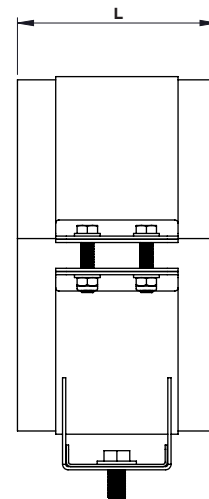
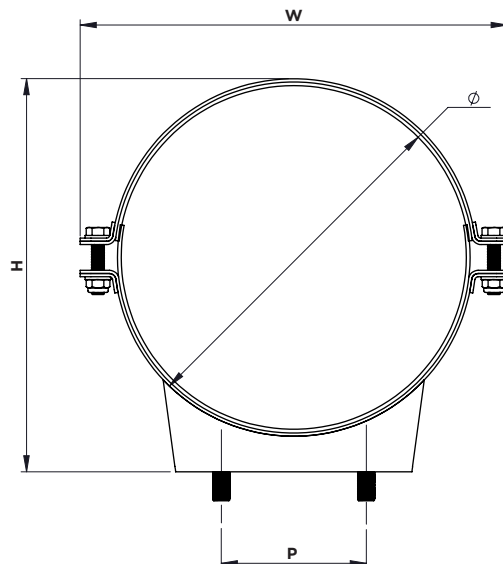
FEATURES

- Third party certification to IEC 61914:2015
- Sunlight (UV) resistant
- Operating temperature -50°C to +60°C
- Offers greater flexibility for installers
- Excellent axial and lateral load retention



TECHNICAL DATA & CLASSIFICATION

TYPE	6.1.3 Composite
DESIGN SPECIFICATION	IEC 61914
TEMPERATURE FOR PERMANENT APPLICATION	-50°C to + 60°C IEC 61914 clause / part 6.2
NEEDLE FLAME TEST	Pass - 120 seconds IEC 61914 clause 10.0, 10.1, IEC 60695-11-5
IMPACT RESISTANCE	Pass - Very Heavy IEC 61914 clause 6.3, 6.3.5, 9.2
MATERIAL	316L Stainless Steel
MATERIAL THICKNESS	3mm
LINER MATERIAL	FR LSF / LSOH Polymer
CABLE FORMATION	Single/Parallel



CABLE CLEAT SELECTION TABLE

SHVSS-JSC PART NO.	TYPE	CABLE Ø RANGE TAKE (mm)	DIMENSIONS mm							WEIGHT (g)
			W1	W2*	H1	H2	D	P*	FIXING HOLE Ø	
AVAILABLE UPON REQUEST FROM CMP PRODUCTS										

* These dimensions can be adapted to suit specific applications