

OLYMPUS (SHVSS)

CMP OLYMPUS single cable cleat is a composite cable cleat which has been designed, constructed and tested in accordance with the International Standard 'cable cleats for electrical installations' IEC 61914 to ensure the securing and retention of cables, without sustaining damage.

The stainless steel section of this cable cleat can be optionally coated with a high performance thermoplastic coating, UL94 V0 flame retardant. This low toxicity polymer alloy coating is halogen free polymer and low smoke & fume, whilst being resistant to: impact, abrasion, salt spray, chemical attack, weathering & UV, making it perfectly suited for use in rail applications.

OLYMPUS cable cleats are designed to be installed as a system for use with High Voltage cable installations and can be manufactured in a standard set of cable diameter range or to suit specific project parameters.

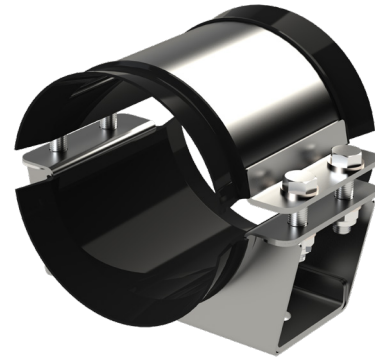
Fabricated in non-magnetic 316L stainless steel, giving it high creep strength whilst providing excellent corrosion resistance in the harshest environments.

Flame retardant low smoke and fume, zero halogen (FR LSF/LSOH) polymeric fixed liners are fitted as standard, helping to:

- Restrain the cables within vertical applications.
- Provide a layer of protection to both the cable sheath and the cable cleat, during normal operation where thermal elongation of cable occurs.
- Protect the cable from chafing on any mounting surface due to differential movements, such as those found in marine and offshore applications.
- Assist in the extra protection of cables in the event of short circuit fault conditions.

FEATURES

- Third party tested in accordance with IEC 61914
- Highly corrosion resistant stainless steel
- Operating temperature -60°C to +90°C
- Excellent axial and lateral load retention



TECHNICAL DATA & CLASSIFICATION	
TYPE	6.1.3 Composite
DESIGN SPECIFICATION	IEC 61914
TEMPERATURE FOR PERMANENT APPLICATION	-60°C to +90°C IEC 61914 clause / part 6.2
NEEDLE FLAME TEST	Pass - 120 seconds IEC 61914 clause 10.0, 10.1, IEC 60695-11-5
IMPACT RESISTANCE	Pass - Very Heavy IEC 61914 clause 6.3, 6.3.5, 9.2
MATERIAL	316L Stainless Steel
MATERIAL THICKNESS	2mm
LINER MATERIAL	FR LSF / LSOH Polymer
CABLE FORMATION	Parallel
LATERAL LOAD	33 kN
AXIAL LOAD	4.5 kN

SHORT CIRCUIT TESTING TO IEC 61914 - CLAUSE 9.5	
FLAT/PARALLEL FORMATION	
ONE SHORT CIRCUIT 2.4m	TWO SHORT CIRCUIT 1.5m
290mm conductor centres	290mm conductor centres
1 sec	1 sec
176kA Peak	160kA Peak
63 kA r.m.s	64 kA r.m.s

OLYMPUS (SHVSS)

CABLE CLEAT SELECTION TABLE							
OLYMPUS PART NO.	CABLE Ø RANGE TAKE (MM)	DIMENSIONS (mm)					WEIGHT (g)
		W	H	D	P*	FIXING HOLE Ø	
SHVSS090100	90-100	170.3	135.3	180	100	2 X M16	2200
SHVSS100110	100-110	184.1	150.3	180	100	2 X M16	2400
SHVSS110120	110-120	192.9	155.4	180	100	2 X M16	2550
SHVSS120130	120-130	203.9	165.4	180	100	2 X M16	2650
SHVSS130140	130-140	215.5	174.5	180	140	2 X M16	2850
SHVSS140150	140-150	224.7	184.5	180	140	2 X M16	2950
SHVSS150160	150-160	234.1	194.5	180	140	2 X M16	3050
SHVSS160170	160-170	243.4	204.6	180	140	2 X M16	3150
SHVSS170180	170-180	254.1	214.6	180	180	2 X M16	3350
SHVSS180190	180-190	265.3	224.6	180	180	2 X M16	3500
SHVSS190200	190-200	274.7	234.6	180	180	2 X M16	3600
SHVSS200210	200-210	284.9	244.6	180	190	2 X M16	3650
SHVSS210220	210-220	294.3	254.6	180	190	2 X M16	3750
SHVSS220230	220-230	304.5	264.7	180	200	2 X M16	3850
SHVSS230240	230-240	314.6	274.6	180	210	2 X M16	4000
SHVSS240250	240-250	323.8	284.4	180	220	2 X M16	4100

* denotes dimensions that can be altered to suit specific project requirements

