

## Floodlight LED

Series 6125/2

## Contents

1	General Information .....	3
1.1	Manufacturer .....	3
1.2	Information regarding the operating instructions .....	3
1.3	Further documents .....	3
1.4	Conformity with standards and regulations .....	3
2	Explanation of the symbols .....	4
2.1	Symbols in these operating instructions .....	4
2.2	Warning notes .....	4
2.3	Symbols on the device .....	5
3	Safety notes .....	5
3.1	Operating instructions storage .....	5
3.2	Safe use .....	5
3.3	Intended Use .....	6
3.4	Modifications and alterations .....	6
4	Function and device design .....	6
4.1	Function .....	6
4.2	Device design .....	7
5	Technical data .....	8
6	Transport and storage .....	12
7	Mounting and installation .....	13
7.1	Dimensions / fastening dimensions .....	13
7.2	Mounting / dismounting, operating position .....	15
7.3	Installation .....	17
8	Commissioning .....	21
9	Maintenance, Overhaul, Repair .....	22
9.1	Maintenance .....	22
9.2	Repair .....	23
9.3	Returning the device .....	23
10	Cleaning .....	24
11	Disposal .....	24
12	Accessories and Spare parts .....	24

# 1 General Information

## 1.1 Manufacturer

R. STAHL Schaltgeräte GmbH  
Am Bahnhof 30  
74638 Waldenburg  
Germany

Phone: +49 7942 943-0  
Fax: +49 7942 943-4333  
Internet: r-stahl.com  
E-mail: info@r-stahl.com

R. STAHL (P) LTD., Plot No. - 5  
Malrosapuram Road, Sengundram Indl. Area  
Singaperumal Koil, Kancheepuram Dist.,  
Tamil Nadu – 603 204, INDIA

Phone: +91 44-67 300 600  
Fax: +91 44-67 300 700  
Internet: r-stahl.com/en/in  
E-mail: sales@rstahl.net

R. STAHL Schaltgeräte GmbH  
Business Unit Lighting & Signalling  
Nordstr. 10  
99427 Weimar  
Germany

Phone: +49 3643 4324  
Fax: +49 3643 4221-76  
Internet: r-stahl.com  
E-mail: info@r-stahl.com

## 1.2 Information regarding the operating instructions

ID-No.: 283095 / 612560300120  
Publication Code: 2020-12-10-BA00-III-en-01

The original instructions are the English edition.  
They are legally binding in all legal affairs.

## 1.3 Further documents

- Data sheet
- For documents in additional languages, see r-stahl.com.

## 1.4 Conformity with standards and regulations

See certificates and EU Declaration of Conformity: r-stahl.com.  
The device has IECEx approval. For certificate please refer to the IECEx homepage:  
<http://iecex.iec.ch/>  
Further national certificates can be downloaded via the following link:  
<https://r-stahl.com/en/global/support/downloads/>.

## 2 Explanation of the symbols

### 2.1 Symbols in these operating instructions

Symbol	Meaning
	Tips and recommendations on the use of the device
	Danger due to explosive atmosphere
	Danger due to live components
	Risk of damage to the eyes caused by optical radiation



### 2.2 Warning notes

Warnings must be observed under all circumstances, in order to minimize the risk due to construction and operation. The warning notes have the following structure:

- Signalling word: DANGER, WARNING, CAUTION, NOTICE
- Type and source of danger/damage
- Consequences of danger
- Taking countermeasures to avoid the danger or damage

	<b>DANGER</b>
	Danger to persons Non-compliance with the instruction results in severe or fatal injuries to persons.
	<b>WARNING</b>
	Danger to persons Non-compliance with the instruction can result in severe or fatal injuries to persons.
	<b>CAUTION</b>
	Danger to persons Non-compliance with the instruction can result in light injuries to persons.
<b>NOTICE</b>	
Avoiding material damage Non-compliance with the instruction can result in material damage to the device and / or its environment.	

## 2.3 Symbols on the device

Symbol	Meaning
 0158 <small>0594E00</small>	CE marking according to the currently applicable directive.
 02198E00	According to marking, device approved for hazardous areas.

## 3 Safety notes

### 3.1 Operating instructions storage

- Read the operating instructions carefully.
- Store the operating instructions at the mounting location of the device.
- Observe applicable documents and operating instructions of the devices to be connected.

### 3.2 Safe use

#### Before mounting

- Read and observe the safety notes in these operating instructions!
- Ensure that the contents of these operating instructions are fully understood by the personnel in charge.
- Use the device in accordance with its intended and approved purpose only.
- Always consult R. STAHL Schaltgeräte GmbH if using the device under operating conditions which are not covered by the technical data.
- We cannot be held liable for damage to the device caused by incorrect or unauthorised use or non-compliance with these operating instructions.

#### For assembly and installation

- Observe national assembly and installation regulations (e.g. IEC/EN 60079-14).
- Observe national safety and accident prevention regulations.
- During installation and operation, observe the information (characteristic values and rated operating conditions) on the type plates and data plates and information signs located on the device.
- Before installation, make sure that the device is not damaged.

#### Maintenance, repair, commissioning



- Before commissioning, make sure that the device is not damaged.
- Work on the device, such as installation, maintenance, overhaul, repair, may only be carried out by appropriately authorised and trained personnel.
- Perform only maintenance work or repair described in these operating instructions.

### 3.3 Intended Use


The LED floodlight 6125/2 is equipment

- for lighting areas, work spaces and objects
- can be used indoors and outdoors
- for stationary mounting
- for use in Zones 1, 21, 2, 22 and in the safe area

### 3.4 Modifications and alterations

	<b>DANGER</b>
	Explosion hazard due to modifications and alterations to the device! Non-compliance results in severe or fatal injuries. <ul style="list-style-type: none"> <li>• Do not modify or alter the device.</li> </ul>
	No liability or warranty for damage resulting from modifications and alterations.

## 4 Function and device design

	<b>DANGER</b>
	Explosion hazard due to improper use! Non-compliance results in severe or fatal injuries. <ul style="list-style-type: none"> <li>• Use the device only in accordance with the operating conditions described in these operating instructions.</li> <li>• Use the device only for the intended purpose specified in these operating instructions.</li> </ul>

### 4.1 Function

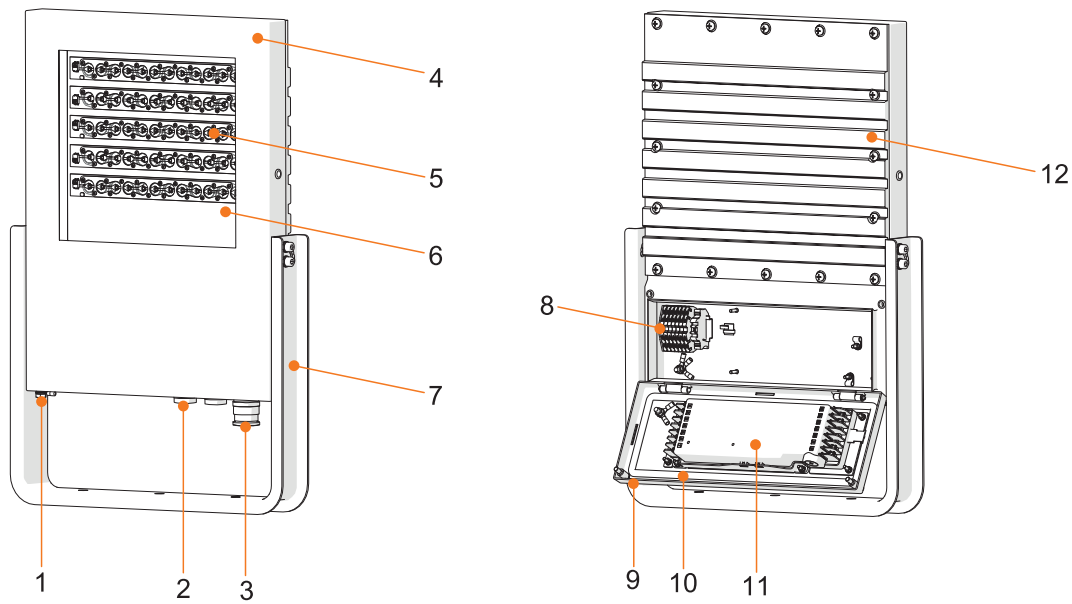
#### Application range

The LED floodlight 6125/2 is equipment used for lighting areas, work equipment and objects.

It can be used indoors and outdoors.

The floodlight is certified for use in Zones 1, 2, 21 and 22 hazardous areas.

## 4.2 Device design



22206E00

- |   |                        |    |                            |
|---|------------------------|----|----------------------------|
| 1 | External PE connection | 7  | Mounting bracket           |
| 2 | Stopping plug          | 8  | Connection terminal        |
| 3 | Cable entry            | 9  | Cover connection enclosure |
| 4 | Enclosure              | 10 | Seal connection enclosure  |
| 5 | LED                    | 11 | Control gear               |
| 6 | Luminaire glass cover  | 12 | Heat sink                  |

## 5 Technical data

### Explosion Protection

#### Global (IECEX)

Gas and dust | IECEx EPS 15.0087  
 Ex db eb op is IIC T4 Gb  
 Ex tb op is IIIC T100 °C Db

#### Europe (ATEX)

Gas and dust | EPS 15 ATEX 1 114  
 Ⓢ II 2 G Ex db eb op is IIC T4 Gb  
 Ⓢ II 2 D Ex tb op is IIIC T100 °C Db

#### Certifications and certificates

Certificates | IECEx, ATEX

### Technical Data

#### Electrical data

Control gear

Rated voltage | **without DALI:**  
 AC: 110 to 277 V ±10%; 50 to 60 Hz  
 DC: 175 to 275 V

**with DALI:**  
 AC: 100 to 277 V ±10%; 50 to 60 Hz  
 DC: 99 to 275 V

Rated current

	Variant 100 W	Variant 160 W	Variant 225 W
110 V AC	≤ 1.05 A	≤ 1.61 A	≤ 2.38 A
230 V AC	≤ 0.50 A	≤ 0.74 A	≤ 1.10 A
277 V AC	≤ 0.42 A	≤ 0.63 A	≤ 0.91 A

Inrush current

Variant	Voltage	Inrush current		light fittings per circuit breaker							
		I <sub>peak</sub>	Δt	B10	B16	B20	B25	C10	C16	C20	C25
100 W	110 V AC	0 A	> 100 μs	6	10	13	16	7	11	14	17
	230 V AC	0 A	> 100 μs	15	24	30	37	16	25	31	38
	277 V AC	0 A	> 100 μs	19	31	39	49	20	32	40	50
160 W	110 V AC	0 A	> 100 μs	4	7	8	11	5	8	9	12
	230 V AC	0 A	> 100 μs	10	16	20	25	11	17	21	26
	277 V AC	0 A	> 100 μs	13	21	26	32	14	22	27	33
225 W	110 V AC	0 A	> 100 μs	3	5	6	8	4	6	7	9
	230 V AC	0 A	> 100 μs	7	11	14	17	8	12	15	18
	277 V AC	0 A	> 100 μs	9	15	18	23	10	16	19	24



**Technical Data**

Power factor	> 0.95
THD	≤ 13%
Surge Protection	N - PE: 4 kV L - PE: 4 kV L - N: 2 kV
Protection class	I (with internal PE connection)

**Luminous characteristics**

Standard  
 Light colour: Neutral white  
 Colour temperature [K]: 5,000 K  
 Colour rendering  $R_a$ : ≥80  
 Application example: lighting of desktops

	6125/2...-1...- ...5-...	6125/2...-3...- ...5-...	6125/2...-5...- ...5-...
Variant	100 W	160 W	225 W
Power consumption [W]	100	155	220
<b>Wide-beam</b>			
Luminous flux [lm]	10,208	14,595	19,941
Luminaire efficacy [lm/W]	102	94	91
<b>Medium-beam</b>			
Luminous flux [lm]	10,701	15,413	20,909
Luminaire efficacy [lm/W]	107	99	95
<b>Narrow-beam</b>			
Luminous flux [lm]	11,088	15,822	21,490
Luminaire efficacy [lm/W]	111	102	98

**Technical Data**

Alternative

Light colour: Warm white  
 Colour temperature [K]: 4,000 K  
 Colour rendering  $R_a$ :  $\geq 80$   
 Application example: lighting of desktops

	6125/2...-1...- ...4-...	6125/2...-3...- ...4-...	6125/2...-5...- ...4-...
Variant	100 W	160 W	225 W
Power consumption [W]	100	155	220
<b>Wide-beam</b>			
Luminous flux [lm]	9,860	14,097	19,261
Luminaire efficacy [lm/W]	99	91	88
<b>Medium-beam</b>			
Luminous flux [lm]	10,336	14,888	20,196
Luminaire efficacy [lm/W]	103	96	92
<b>Narrow-beam</b>			
Luminous flux [lm]	10,710	15,283	20,757
Luminaire efficacy [lm/W]	107	99	94

Light colour: Cool white  
 Colour temperature [K]: 5,700 K  
 Colour rendering  $R_a$ :  $\geq 70$   
 Application example: Lighting outside areas

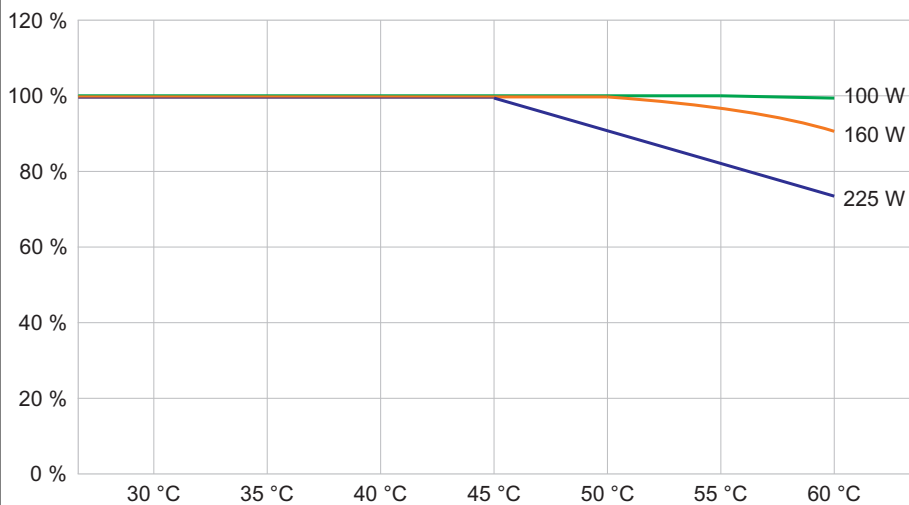
	6125/2...-1...- ...1-...	6125/2...-3...- ...1-...	6125/2...-5...- ...1-...
Variant	100 W	160 W	225 W
Power consumption [W]	100	155	220
<b>Wide-beam</b>			
Luminous flux [lm]	11,574	16,631	22,654
Luminaire efficacy [lm/W]	116	107	103
<b>Medium-beam</b>			
Luminous flux [lm]	12,160	17,444	23,806
Luminaire efficacy [lm/W]	122	113	108
<b>Narrow-beam</b>			
Luminous flux [lm]	12,565	18,022	24,562
Luminaire efficacy [lm/W]	126	116	111

Values apply to  $T_a = +25\text{ }^\circ\text{C}$ .

**Technical Data**

Luminous flux decline

- during DC operation to 50%



22247E00

**Ambient conditions**

Operating temperature range

- Variant 100 W: -50\* to +60 °C
- Variant 160 W: -60\* to +60 °C
- Variant 225 W: -60\* to +60 °C

\* Note: Possible to operate the luminaire below -40 °C, provided the luminaire is switched on at -40 °C. Delay of 10 seconds below -40 °C.

Storage temperature

-40 to +75 °C

**Service life**

LED

L<sub>90</sub>B<sub>50</sub>: 66,000 h at T<sub>a</sub>max.

L<sub>x</sub>B<sub>y</sub>

At the end of the service life:

- Luminous flux declines to "x" percent
- Up to "y" percent of all luminaires fall below "x"

LED control gear

	<b>C10</b>
T <sub>a</sub> ≤ +25 °C	100,000 h
+25 °C ≤ T <sub>a</sub> ≤ +40 °C	60,000 h
+40 °C ≤ T <sub>a</sub> ≤ +60 °C	50,000 h

**Technical Data**

**Mechanical data**

Degree of protection	IP66	
Impact strength (IK code)	IK10 (IEC 62262)	
Material		
Enclosure, cover and bracket	<b>6125/2...-...-...-331</b>	Stainless steel SS304 (1.4301 or V2A), Enclosure, cover with single powder coating, bracket without powder coating
	<b>6125/2...-...-...-242</b>	Stainless steel SS316L (1.4404 or V4A), Enclosure, cover with double powder coating (offshore coating), bracket without powder coating
Enclosure colours	Colour white, similar to RAL 9010	
Seal (cover)	Foamed silicone in luminaire cover	
Luminaire glass cover	Toughened glass	
Luminaire locking	Cheese-head screws TORX M6	

**Mounting / Installation**

Cable entry	1 x cable gland Series CMP A2F 2 x stopping plugs Series 8290
Connection	Spring clamp terminals Standard: 5-pole: L1, L2, L3, N, PE with DALI: 7-pole: L1, L2, L3, N, PE, D1, D2 Clamping range: 1x 1.5 to 6 mm <sup>2</sup> (solid) 1x 1.5 to 4 mm <sup>2</sup> (finely stranded) 1x 1.5 to 6 mm <sup>2</sup> (finely stranded with core end sleeves) (2 free clamping units per pole available)
Loop in/loop out wiring	max. 16 A

**Optional**


DALI-connection	DALI-interface in accordance with IEC 62386-207:2009-08 The maximum permissible voltage drop on the DALI conductor is defined with a maximum of 2 V. This corresponds with a maximum conductor length of 300 m, with a conductor cross-section of 1.5 mm <sup>2</sup> .
-----------------	-------------------------------------------------------------------------------------------------------------------------------------------------------------------------------------------------------------------------------------------------------------------------------

For further technical data, see [r-stahl.com](http://r-stahl.com).

**6 Transport and storage**

- Transport and store the device only in the original packaging.
- Store the device in a dry place (no condensation) and vibration-free.
- Do not drop the device.

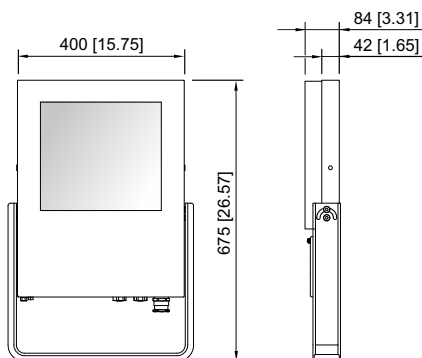
## 7 Mounting and installation

	DANGER
	<p>Explosion hazard due to incorrect installation of the device!                  Non-compliance results in severe or fatal injuries.</p> <ul style="list-style-type: none"> <li>• Carry out installation strictly according to the instructions and national safety and accident prevention regulations to maintain the explosion protection.</li> <li>• Select and install the electrical device so that explosion protection is not affected due to external influences, i.e. pressure conditions, chemical, mechanical, thermal and electric impact such as vibration, humidity and corrosion (see IEC/EN 60079-14).</li> <li>• The device must only be installed by trained qualified personnel who is familiar with the relevant standards.</li> </ul>

NOTICE
<p>Malfunction or device damage caused by condensation.                  Non-compliance can result in material damage!</p> <ul style="list-style-type: none"> <li>• operate the luminaire continuously or periodically over extended periods of time.</li> <li>• avoid thermal bridges.</li> </ul>

### 7.1 Dimensions / fastening dimensions

Dimensional drawings (all dimensions in mm [inches]) – Subject to modification



22203E00

#### Floodlights

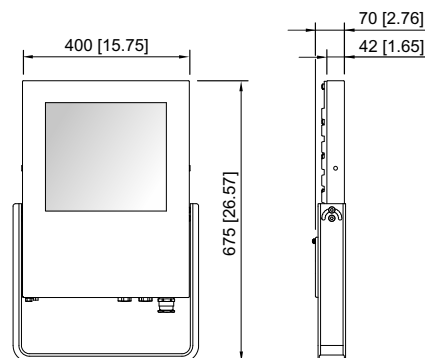
Heat sink with fins

6125/2...-3...-.....-3.. (Variant 160 W)

6125/2...-3...-.....-2.. (Variant 160 W)

6125/2...-5...-.....-3.. (Variant 225 W)

6125/2...-5...-.....-2.. (Variant 225 W)



22204E00

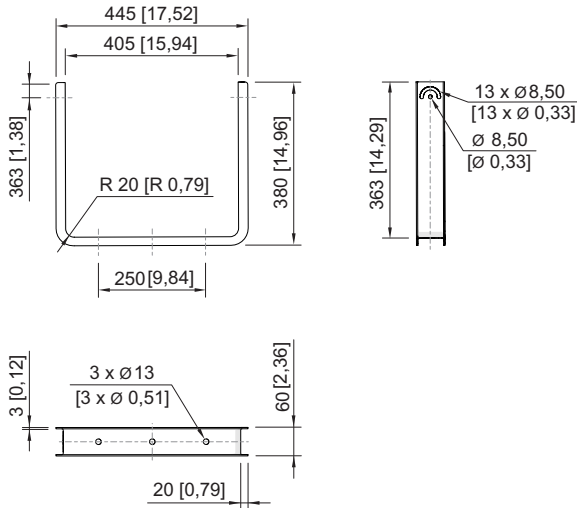
#### Floodlights

Heat sink without fins

6125/2...-1...-.....-3.. (Variant 100 W)

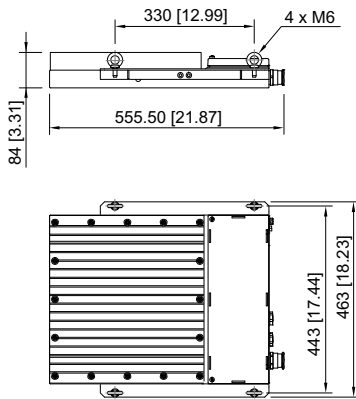
6125/2...-1...-.....-2.. (Variant 100 W)

**Dimensional drawings (all dimensions in mm [inches]) – Subject to modification**

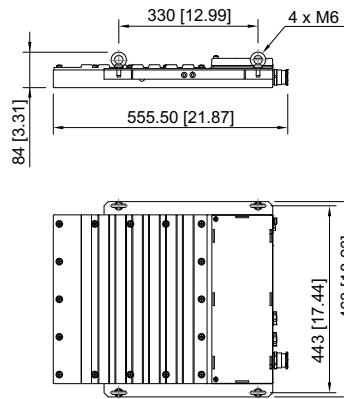


17561E00

**Mounting bracket**



22209E00



22208E00

**Floodlights with ring eyes**

Heat sink with fins

6125/2...-3...-.....-0.. (Variant 160 W)




6125/2...-5...-.....-0.. (Variant 225 W)

**Floodlights with ring eyes**

Heat sink without fins

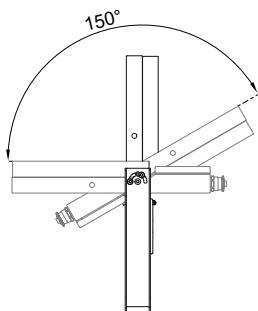
6125/2...-1...-.....-0.. (Variant 100 W)

## 7.2 Mounting / dismantling, operating position

	<p style="text-align: center;"><b>DANGER</b></p> <p>Explosion hazard due to inadmissible heating! Non-compliance results in severe or fatal injuries.</p> <ul style="list-style-type: none"> <li>• Avoid external heat sources and/or direct sunlight (risk of change of temperature class or change of maximum permissible surface temperature).</li> <li>• Do not exceed the maximum ambient temperature due to external heat sources (premature failure of equipment).</li> </ul>
	<p style="text-align: center;"><b>CAUTION</b></p> <p>Risk of damage to the eyes caused by optical radiation! Non-compliance can result in light injuries!</p> <ul style="list-style-type: none"> <li>• A minimum distance of 7.751 m between the luminaire and the eye of the viewer must be maintained for the version with narrow-beam light distribution.</li> </ul>
	<p>The luminaire is suitable for wall, ceiling mounting and pole mounting with a mounting bracket. Do not install the luminaire so that light is emitted upward and/or so that the cable entry is pointing upward.</p>

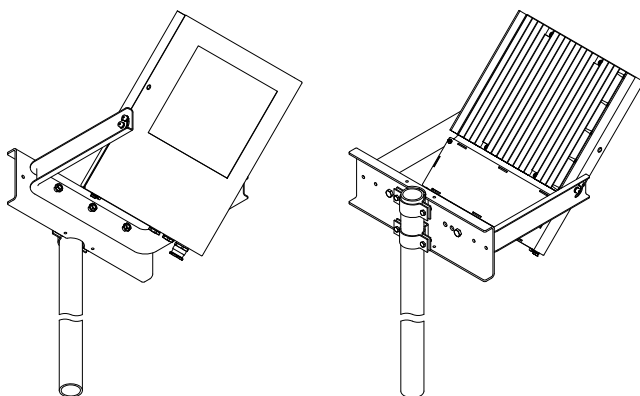
- Maximum tightening torque of 10 Nm for connection screw of the mounting bracket and floodlight.
- Pendant mounting with ring eyes (M6).

## Mounting alignment




22244E00

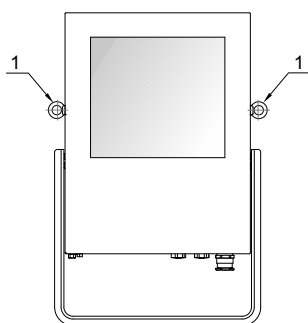
## Pole mounting



22243E00

## Mounting with fall protection

	The floodlight can be further protected in unexpected situations by mounting 2 ring eyes (1).
-------------------------------------------------------------------------------------	-----------------------------------------------------------------------------------------------


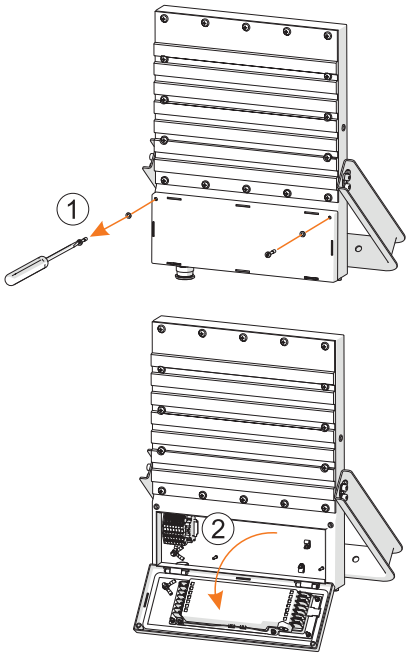


22242E00



## 7.3 Installation

### 7.3.1 Opening and Closing of the Enclosure

	<b>DANGER</b>
	<p>Risk of electric shock due to improper opening! Non-compliance results in severe or fatal injuries.</p> <ul style="list-style-type: none"> <li>• Only open luminaires in a de-energised state.</li> </ul>
<b>NOTICE</b>	
<p>Danger due to electrostatic discharge. Electronic components can be destroyed if touched.</p> <ul style="list-style-type: none"> <li>• Do not touch the LED-PCBs!</li> </ul>	
	<p>Opening:</p> <ul style="list-style-type: none"> <li>• Loosen the two mounting screws (TORX 6) of the enclosure cover (1).</li> <li>• Carefully swivel down the enclosure cover (2).</li> </ul> <p>Proceed in reverse order to close:</p> <ul style="list-style-type: none"> <li>• Carefully close the enclosure cover (2).</li> <li>• Tighten the enclosure cover with two mounting screws (TORX 6, tightening torque 5 Nm) (1).</li> </ul>

### 7.3.2 Electrical connections

#### Electrical connection

Observe the maximum clamping possibility of the connection terminals (see chapter "Technical data").

Observe the following when connecting to the electrical connection:

- Clamping must be carried out precisely.
- Do not clamp any part of the conductor insulation.
- Do not mix up the conductors.
- Observe the technical regulations when connecting the conductor.
- Clamp the conductor firmly.

#### Connection terminals

##### Clamping range:

1 x 1.5 to 6 mm<sup>2</sup> (solid)

1 x 1.5 to 4 mm<sup>2</sup> (finely stranded)

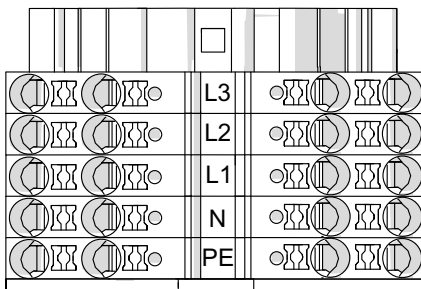
1 x 1.5 to 6 mm<sup>2</sup> (finely stranded with core end sleeves)

(2 free clamping units per pole available)

##### Stripping length:

10 to 12 mm

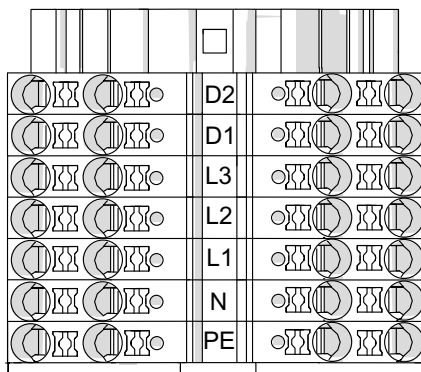
##### Standard:



- L1, L2, L3 = phase
- N = neutral conductor
- PE = protective conductor

20219E00


##### with DALI connection:



- D1, D2 = DALI connection
- L1, L2, L3 = phase
- N = neutral conductor
- PE = protective conductor

20221E00


Loop in/loop out wiring of the mains connection

	DANGER	
	<p>Explosion hazard due to wrong electrical lines and/or cable entries and cable glands!                  Non-compliance results in severe or fatal injuries.</p> <ul style="list-style-type: none"> <li>• Only use electrical lines, cable entries and cable glands which meet the special requirements for the service temperature.</li> </ul>	

Special requirements for the service temperature of electrical lines, cable entries and cable glands for loop in/loop out wiring:


Version	Variant	at ambient temperature	I <sub>N</sub> ≤ 10 A		10 A ≤ I <sub>N</sub> ≤ 16 A	
			Electrical lines		Cable entry, cable gland	
6125/2	100 W	-50* to +60 °C	–	≥ +95 °C	≥ +85 °C	≥ +85 °C
		-50* to +50 °C	–	≥ +85 °C	≥ +75 °C	≥ +75 °C
	160 W	-60* to +60 °C	≥ +70 °C	≥ +100 °C	≥ +85 °C	≥ +85 °C
		-60* to +50 °C	–	≥ +90 °C	≥ +80 °C	≥ +80 °C
	225 W	-60* to +60 °C	≥ +75 °C	≥ +95 °C	≥ +85 °C	≥ +85 °C
		-60* to +50 °C	–	≥ +85 °C	≥ +80 °C	≥ +80 °C

\* Note: Possible to operate the luminaire below -40 °C, provided the luminaire is switched on at -40 °C. Delay of 10 seconds below -40 °C.

	<p><b>Recommendation</b>                  Use the following cable glands:</p> <ul style="list-style-type: none"> <li>• 243464 – CMP-20A2F NB M20 screw connection</li> <li>• 107642 – CMP-25A2F NB M25 screw connection</li> </ul>
-------------------------------------------------------------------------------------	----------------------------------------------------------------------------------------------------------------------------------------------------------------------------------------------------------------------------------------


### 7.3.3 Cable entries

Luminaires with cable entries, cable glands and stopping plugs which are not supplied by R. STAHL Schaltgeräte GmbH


	DANGER
	<p>Explosion hazard due to impermissible cable entries, cable glands and stopping plugs!                      Non-compliance results in severe or fatal injuries.</p> <ul style="list-style-type: none"> <li>• Only use separately certified cable glands and stopping plugs which have been tested and certified according to Directive 2014/34/EU (ATEX) or IECEx (CoC) and which comply with the standard version stated in the certificate of the luminaire.</li> </ul>

Please observe the following:

- the required dust resistance!
- the required type of protection!
- the required temperature resistance!
- the IP degree of protection according to the rating plate!
- the operating instructions of the cable entries and stopping plugs!
- the required tightening torques!
- the range of the permissible cable diameter!
- Insert the metal cable entries and/or stopping plugs into the PE!

	<p>Cable glands and stopping plugs must be approved for the following types of protection:</p> <ul style="list-style-type: none"> <li>• increased safety (e) and dust (IIIC)</li> </ul>
-------------------------------------------------------------------------------------	-----------------------------------------------------------------------------------------------------------------------------------------------------------------------------------------



## 8 Commissioning

	<b>DANGER</b>
	<p>Explosion hazard due to incorrect installation! Non-compliance results in severe or fatal injuries.</p> <ul style="list-style-type: none"> <li>• Check the device for proper installation before commissioning.</li> <li>• Comply with national regulations.</li> </ul>
<b>NOTICE</b>	
<p>Malfunction or device damage caused by condensation. Non-compliance can result in material damage!</p> <ul style="list-style-type: none"> <li>• operate the luminaire continuously or periodically over extended periods of time.</li> <li>• avoid thermal bridges.</li> </ul>	

Before commissioning, ensure the following:


- Check the mounting and installation.
- Inspect enclosure for damage.
- If necessary, remove foreign bodies.
- If necessary, clean the connection chamber.
- Check if the conductors have been inserted correctly.
- Check if all screws and nuts have been tightened firmly.
- Check if all drilled holes are closed.
- Check whether all the cable entries and stopping plugs have been tightened firmly.
- Check if all conductors have been clamped firmly.
- Check if the line voltage and the rated operational voltage are consistent.
- Check if the permissible conductor diameter for the corresponding cable entries have been used.
- Check if the device is closed according to regulations.
- Check whether the bracket mounting & cover mounting screws are tightened with proper torque.

## 9 Maintenance, Overhaul, Repair

	<b>DANGER</b>
	<p>Explosion hazard due to hot built-in components!          Non-compliance results in severe or fatal injuries.</p> <ul style="list-style-type: none"> <li>• Only open the enclosure in switched-off state.</li> </ul>
	<b>CAUTION</b>
	<p>Risk of electric shock or malfunction of the device due to unauthorized work!          Non-compliance can result in light injuries!</p> <ul style="list-style-type: none"> <li>• Before carrying out work on the device, switch off voltage supply.</li> <li>• Work performed on the device must only be carried out by authorized and appropriately trained qualified electricians.</li> </ul>
<b>NOTICE</b>	
<p>Danger due to electrostatic discharge.          Electronic components can be destroyed if touched.</p> <ul style="list-style-type: none"> <li>• Do not touch the LED-PCBs!</li> </ul>	

### 9.1 Maintenance

- Consult the relevant national regulations to determine the type and extent of inspections.
- Adapt inspection intervals to the operating conditions.
- Perform maintenance and repair work in accordance with IEC 60079-17 and IEC 60079-19.

	Observe the relevant national regulations in the country of use.
-------------------------------------------------------------------------------------	------------------------------------------------------------------

As a minimum, check the following points during maintenance work on the device:


- Whether the clamping screws holding the cables are securely seated
- Whether the device enclosure and/or protective enclosure have cracks or other visible signs of damage
- Whether the seal shows signs of ageing or damage (completely replace enclosure components with damaged foamed seal)
- Whether the device is clean inside and out
- Whether the permissible temperatures (in accordance with EN 60079) are complied with
- Whether the cable entry is intact and securely tightened
- Whether the cables and lines show signs of ageing and damage
- Intended use and function.

**NOTICE**

Moisture on the inside of the luminaire can result in damage to electric and electronic components.

- Remove moisture with a cloth!
- Determine the source and eliminate the cause!
- Avoid condensation and thermal bridges!

**9.2 Repair**

	<b>DANGER</b>
	<p>Explosion hazard due to improper repair! Non-compliance results in severe or fatal injuries.</p> <ul style="list-style-type: none"> <li>• Repair work on the devices must be performed only by R. STAHL Schaltgeräte GmbH.</li> </ul>

**9.3 Returning the device**

- Only return or package the devices after consulting R. STAHL!  
Contact the responsible representative from R. STAHL.


R. STAHL's customer service is available to handle returns if repair or service is required.

- Contact customer service personally.

or

- Go to the [r-stahl.com](http://r-stahl.com) website.
- Under "Support" > "RMA" > select "RMA-REQUEST".
- Fill out the form and send it.  
You will automatically receive an RMA form via email. Please print this file off.
- Send the device along with the RMA form in the packaging to  
R. STAHL Schaltgeräte GmbH (refer to chapter 1.1 for the address).

## 10 Cleaning

	DANGER
	<p>Explosion hazard due to heavy deposits of combustible dusts!                      Non-compliance results in severe or fatal injuries.</p> <ul style="list-style-type: none"> <li>• Deposits of combustible dusts through regular cleaning according to EN/IEC 60079-14.</li> </ul>


- To avoid electrostatic charging, the devices located in potentially explosive areas may only be cleaned using a damp cloth.
- When cleaning with a damp cloth, use water or mild, non-abrasive, non-scratching cleaning agents.
- Do not use aggressive detergents or solvents.

## 11 Disposal

- Observe national and local regulations and statutory regulation regarding disposal.
- Separate materials when sending it for recycling.
- Ensure environmentally friendly disposal of all components according to the statutory regulations.

## 12 Accessories and Spare parts

NOTICE	
<p>Malfunction or damage to the device due to the use of non-original components.                      Non-compliance can result in material damage.</p> <ul style="list-style-type: none"> <li>• Use only original accessories and spare parts from R. STAHL Schaltgeräte GmbH.</li> </ul>	

	<p>For accessories and spare parts, see data sheet on our homepage <a href="http://r-stahl.com">r-stahl.com</a>.</p>
-------------------------------------------------------------------------------------	----------------------------------------------------------------------------------------------------------------------



**EU-Konformitätserklärung**  
*EU Declaration of Conformity*  
*Déclaration de Conformité UE*



**R. STAHL Schaltgeräte GmbH • Am Bahnhof 30 • 74638 Waldenburg, Germany**  
 erklärt in alleiniger Verantwortung, *declares in its sole responsibility, déclare sous sa seule responsabilité,*

**dass das Produkt:** LED Scheinwerfer  
*that the product:* LED Floodlight  
*que le produit:* LED Projecteur

**Typ(en), type(s), type(s):** 6125/2

**mit den Anforderungen der folgenden Richtlinien und Normen übereinstimmt.**  
*is in conformity with the requirements of the following directives and standards.*  
*est conforme aux exigences des directives et des normes suivantes.*

Richtlinie(n) / Directive(s) / Directive(s)	Norm(en) / Standard(s) / Norme(s)
2014/34/EU ATEX-Richtlinie 2014/34/EU ATEX Directive 2014/34/UE Directive ATEX	EN IEC 60079-0:2018 EN 60079-1:2014 EN IEC 60079-7:2015 + A1:2018 EN 60079-28:2015 EN 60079-31:2014

**Kennzeichnung, marking, marquage:** II 2 G Ex db eb op is IIC T4 Gb 0158  
 II 2 D Ex tb op is IIIC T100°C Db

**EU-Baumusterprüfbescheinigung:** EPS 15 ATEX 1 114  
*EU-Type Examination Certificate:* (Bureau Veritas Consumer Products Services Germany GmbH,  
*Attestation d'examen UE de type:* Businesspark A96, 86842 Tuerkheim, Germany)

**Produktnormen nach Niederspannungsrichtlinie:** EN 60598-1:2015 + A1:2018  
*Product standards according to Low Voltage Directive:* EN 62471:2008  
*Normes des produit pour la Directive Basse Tension:*

2014/30/EU EMV-Richtlinie 2014/30/EU EMC Directive 2014/30/UE Directive CEM	EN 55015:2013 + A1:2015 EN 61547:2009 EN 61000-3-2:2014 EN 61000-3-3:2013
-----------------------------------------------------------------------------------	------------------------------------------------------------------------------------

2011/65/EU RoHS-Richtlinie 2011/65/EU RoHS Directive 2011/65/UE Directive RoHS	EN IEC 63000:2018
--------------------------------------------------------------------------------------	-------------------

Waldenburg, 2020-11-04  
 Ort und Datum  
*Place and date*  
*Lieu et date*

i.V.   
 Dr. A. Kaufmann  
 Senior Vice President Marketing & Innovation  
 Vice-Président directeur Marketing & Innovation

i.V.   
 J. Freimüller  
 Vice President global Quality Management  
 Vice-Président globale Gestion de Qualité