



FL-ExVENT

1 Application

Explosion proof filter ventilator for the aeration and ventilation of cabinets.

2 Special advantages

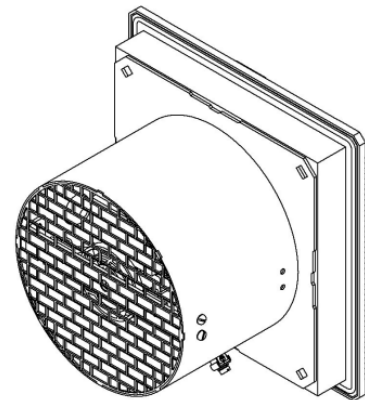
- compact dimensions
- encapsulated stainless steel ball bearings
- Stainless steel shaft
- operating temperature range from -40 bis +60°C
- other voltages on request

3 Description

FL-ExVENT is a filter ventilator consistend of a shaded-pole motor (ExVENT 3025; see data sheet [CDS10734](#)), a stainless steel case and an exhaust- or entrancefilter.

It has an integrated temperature limiter which separates the motor from the grid in case of external heating-up or blockage for Ex-protection reasons.

For operational reliability reasons the motor may only be operated in conditions such as to exclude that the response temperature of the limiter is exceeded.



4 Explosion Protection Motor ExVENT 3025

EC Examination certificate	PTZ 18 ATEX 0050 X
IEC Scheme Certificate	IECEX PTB 11.0016X
Marking	II 2 G Ex h mb IIB+H2 T4 Gb

5 Technical data filter fan

Nominal voltage	230-250V AC 50/60Hz
Nominal current	1 A
Nominal output	25 W
Protection type <i>IEC EN 60529</i>	IP55*
Operating temperature	-40 to +60°C
Ambient temperature	-60 to +60°C
Insulation class <i>IEC EN 60085</i>	H
Temperature class <i>IEC EN 60079-0</i>	T4
Nominal speed	2500 rpm
Airflow	300 cbm/h*
Connection cable	Silicon cable, notch- and oil-resistant 3x1,5 mm ² Ø8,4 mm
Length of connection cable	1 m
Dimensions (H x W xD)	216 x 216 x 165 mm

* free blown; in combination with an exhaust/entrancefilter series PFA 40.000 GO with filter mat G4 - 150 cbm/h



FL-ExVENT

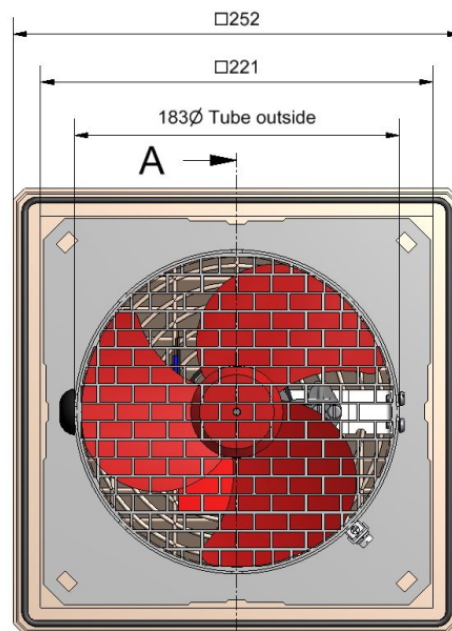
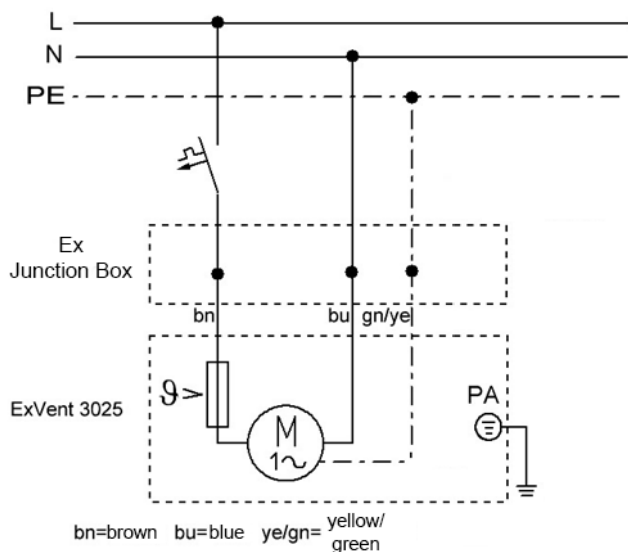
6 Options

Motor	ExVENT 3025 L175 PA...	
Delivery direction	O: blown out	I: blown in
Case	stainless steel	
Filter mat	G4	B: no
Connection cable-length 3 m	3M	
Junction box with melting fuse	IEAO-01-SET	

7 Mounting position, minimum clearances

- Any mounting position
- The included ExVENT operating instructions
- The type plate must remain legible

8 Connection diagram



Section A-A

