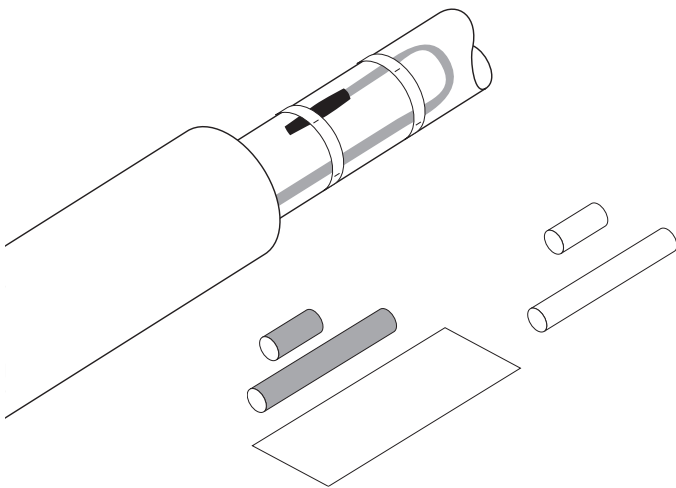


E-20 and E-40

CONNECT AND PROTECT

Heat-shrink under insulation end seal kits



These end seal kits are designed for the termination of nVent RAYCHEM BTV, QTVR, XTV, KTV and VPL self-regulating heating cables.

The nVent RAYCHEM E-20 is designed for use with BTV and QTVR heating cables and the nVent RAYCHEM E-40 is designed for use with XTV, KTV and VPL heating cables. All kits are approved for use in hazardous areas.

The end seal kit E-20 employs easy to use heat-shrinkable tubing with an adhesive, that when heated forms a semi-flexible moisture proof encapsulation. The end seal kit E-40 employs high temperature heat-shrinkable tubing with a plastic melt liner that when heated forms a semi-flexible moisture proof encapsulation. Due to the low profile design, the finished termination can be installed directly on the pipe.

One end seal kit is required for each termination.

APPLICATION

	E-20	E-40
	End seal for BTV and QTVR self-regulating heating cables	End seal for XTV and KTV self-regulating and VPL power-limiting heating cables

KIT CONTENTS

	Heat-shrinkable adhesive coated sleeves Installation instruction Aluminum tape	Heat-shrinkable sleeves Installation instruction
--	--	---

APPROVALS

E-20 and E-40 are certified as integrated components to IEC IEEE 60079-30-1, C22.2 No. 60079-30-1 and UL 60079-30-1 for Zone 1, Zone 21 and Division 2. Refer to heating system certificate for details.

PRODUCT SPECIFICATIONS

	E-20	E-40
Maximum exposure temperature	110°C (230°F)	260°C (500°F)
Final dimensions	Length approximately 120 mm Diameter approximately 20 mm	Length approximately 120 mm Diameter approximately 20 mm
Minimum ambient temperature	-60°C (-76°F)	-60°C (-76°F)

INSTALLATION DETAILS

Gas torch or equivalent	Minimum 1460 W hot air gun	Minimum 3000 W hot air gun*
Minimum installation temperature	-20°C (-4°F)	-60°C (-76°F)

ORDERING INFORMATION

Part description	E-20	E-40
PN (Weight)	1244-022489 (0.03 kg)	1244-022491 (0.06 kg)

*The installation of the E-40 requires a high power heat gun and an experienced installer.

North America

Tel +1.800.545.6258
Fax +1.800.527.5703
thermal.info@nVent.com

Europe, Middle East, Africa

Tel +32.16.213.502
Fax +32.16.213.604
thermal.info@nVent.com

Asia Pacific

Tel +86.21.2412.1688
Fax +86.21.5426.3167
cn.thermal.info@nVent.com

Latin America

Tel +1.713.868.4800
Fax +1.713.868.2333
thermal.info@nVent.com



Our powerful portfolio of brands:

CADDY ERICO HOFFMAN RAYCHEM SCHROFF TRACER