



Linear Luminaire with LED

Series EXLUX 6402/4

Contents

1	General Information	3
1.1	Manufacturer	3
1.2	Information regarding the operating instructions	3
1.3	Further documents	3
1.4	Conformity with standards and regulations	3
2	Explanation of the symbols	4
2.1	Symbols in these operating instructions	4
2.2	Warning notes	4
2.3	Symbols on the device	5
3	Safety notes	5
3.1	Operating instructions storage	5
3.2	Safe use	5
3.3	Intended Use	6
3.4	Modifications and alterations	6
4	Function and device design	6
4.1	Function	6
4.2	Device design	7
5	Technical data	9
6	Transport and storage	14
7	Mounting and installation	14
7.1	Dimensions / fastening dimensions	14
7.2	Removing protective foil	16
7.3	Mounting / dismounting, operating position	17
7.4	Installation	20
8	Commissioning	25
9	Maintenance, Overhaul, Repair	26
9.1	Maintenance	26
9.2	Repair	27
9.3	Returning the device	27
10	Cleaning	27
11	Disposal	27
12	Accessories and Spare parts	28

1 General Information

1.1 Manufacturer

R. STAHL Schaltgeräte GmbH
Am Bahnhof 30
74638 Waldenburg
Germany

Phone: +49 7942 943-0
Fax: +49 7942 943-4333
Internet: r-stahl.com
E-mail: info@r-stahl.com

R. STAHL (P) LTD., Plot No. - 5
Malrosapuram Road, Sengundram Indl. Area
Singaperumal Koil, Kancheepuram Dist.,
Tamil Nadu – 603 204, INDIA

Phone: +91 44-30 600 600
Fax: +91 44-30 600 700
Internet: rstahl.net
E-mail: sales@rstahl.net

R. STAHL Schaltgeräte GmbH
Business Unit Lighting & Signalling
Nordstr. 10
99427 Weimar
Germany

Phone: +49 3643 4324
Fax: +49 3643 4221-76
Internet: r-stahl.com
E-mail: info@r-stahl.com

1.2 Information regarding the operating instructions

ID-No.: 266299 / 640260300140
Publication Code: 2020-09-29-BA00-III-en-04

The original instructions are the English edition.
They are legally binding in all legal affairs.

1.3 Further documents

- Data sheet
- For documents in additional languages, see r-stahl.com.

1.4 Conformity with standards and regulations

See certificates and EU Declaration of Conformity: r-stahl.com.
The device has IECEx approval. For certificate please refer to the IECEx homepage:
<http://iecex.iec.ch/>
Further national certificates can be downloaded via the following link:
<https://r-stahl.com/en/global/support/downloads/>.

2 Explanation of the symbols

2.1 Symbols in these operating instructions

Symbol	Meaning
	Tips and recommendations on the use of the device
	Danger due to explosive atmosphere
	Danger due to live components



2.2 Warning notes

Warnings must be observed under all circumstances, in order to minimize the risk due to construction and operation. The warning notes have the following structure:

- Signalling word: DANGER, WARNING, CAUTION, NOTICE
- Type and source of danger/damage
- Consequences of danger
- Taking countermeasures to avoid the danger or damage

	DANGER
	Danger to persons Non-compliance with the instruction results in severe or fatal injuries to persons.
	WARNING
	Danger to persons Non-compliance with the instruction can result in severe or fatal injuries to persons.
	CAUTION
	Danger to persons Non-compliance with the instruction can result in light injuries to persons.
NOTICE	
Avoiding material damage Non-compliance with the instruction can result in material damage to the device and / or its environment.	

2.3 Symbols on the device

Symbol	Meaning
 0158 <small>0594E00</small>	CE marking according to the currently applicable directive.
 <small>02198E00</small>	According to marking, device approved for hazardous areas.

3 Safety notes

3.1 Operating instructions storage

- Read the operating instructions carefully.
- Store the operating instructions at the mounting location of the device.
- Observe applicable documents and operating instructions of the devices to be connected.

3.2 Safe use

Before mounting

- Read and observe the safety notes in these operating instructions!
- Ensure that the contents of these operating instructions are fully understood by the personnel in charge.
- Use the device in accordance with its intended and approved purpose only.
- Always consult R. STAHL Schaltgeräte GmbH if using the device under operating conditions which are not covered by the technical data.
- We cannot be held liable for damage to the device caused by incorrect or unauthorised use or non-compliance with these operating instructions.

For assembly and installation

- Observe national assembly and installation regulations (e.g. IEC/EN 60079-14).
- Observe national safety and accident prevention regulations.
- During installation and operation, observe the information (characteristic values and rated operating conditions) on the type plates and data plates and information signs located on the device.
- Before installation, make sure that the device is not damaged.

Maintenance, repair, commissioning



- Before commissioning, make sure that the device is not damaged.
- Work on the device, such as installation, maintenance, overhaul, repair, may only be carried out by appropriately authorised and trained personnel.
- Perform only maintenance work or repair described in these operating instructions.

3.3 Intended Use


The luminaire 6402/4 is equipment

- for lighting areas, work spaces and objects
- can be used indoors and outdoors
- for stationary mounting
- Size 2 and size 4 for use in Zones 21, 2, 22 and in the safe area.
- Size 6 for use in Zones 2, 22 and in the safe area.

3.4 Modifications and alterations

	DANGER
	<p>Explosion hazard due to modifications and alterations to the device! Non-compliance results in severe or fatal injuries.</p> <ul style="list-style-type: none"> • Do not modify or alter the device.
	No liability or warranty for damage resulting from modifications and alterations.

4 Function and device design

	DANGER
	<p>Explosion hazard due to improper use! Non-compliance results in severe or fatal injuries.</p> <ul style="list-style-type: none"> • Use the device only in accordance with the operating conditions described in these operating instructions. • Use the device only for the intended purpose specified in these operating instructions.

4.1 Function

Application range

The luminaire 6402/4 is equipment used for lighting areas, work equipment and objects. It can be used indoors and outdoors.

The luminaire is approved for use in hazardous areas of Zones 2 and 22.

Size 2 and 4 luminaires are also approved for use in hazardous areas of Zone 21.

Mode of operation

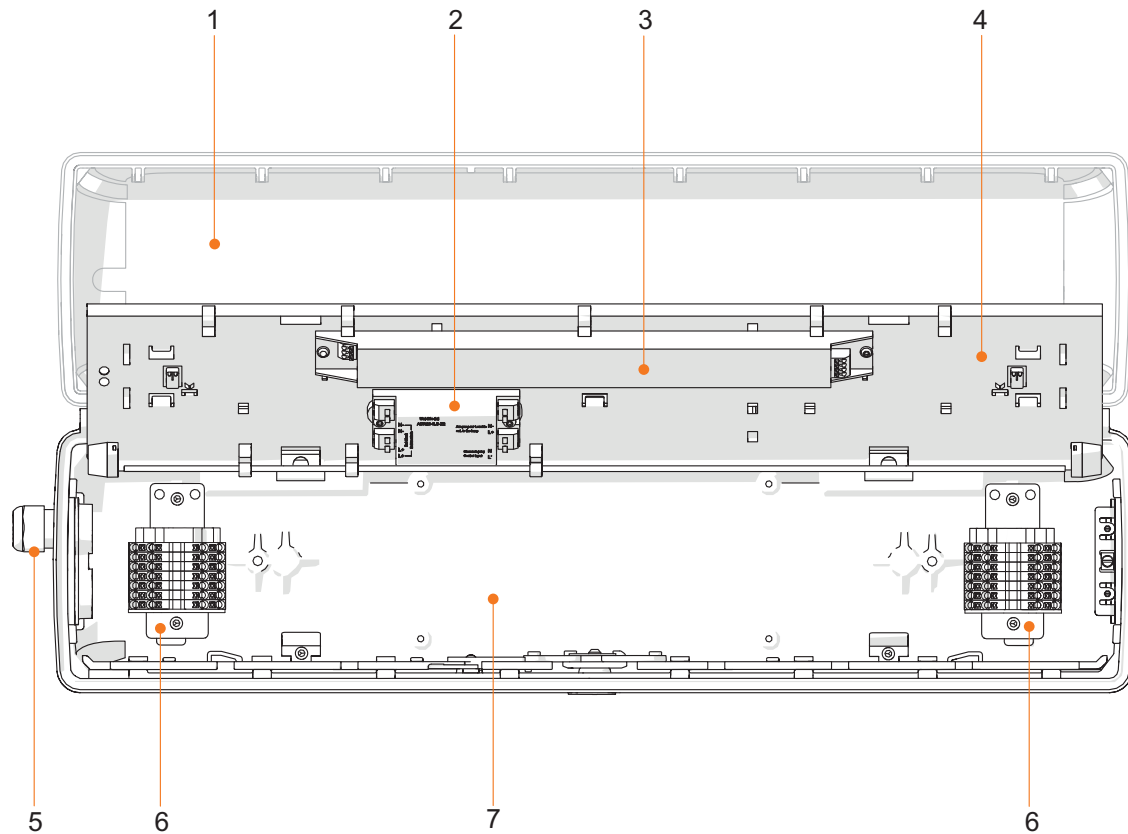
When opened using a central lock, the luminaire switches off automatically (optional).

The operating hours can be determined and the luminaire can be dimmed and switched (optional) via a DALI interface.

An address module can be used for luminaire control and monitoring with a central battery unit from R. STAHL (optional).

4.2 Device design

EN

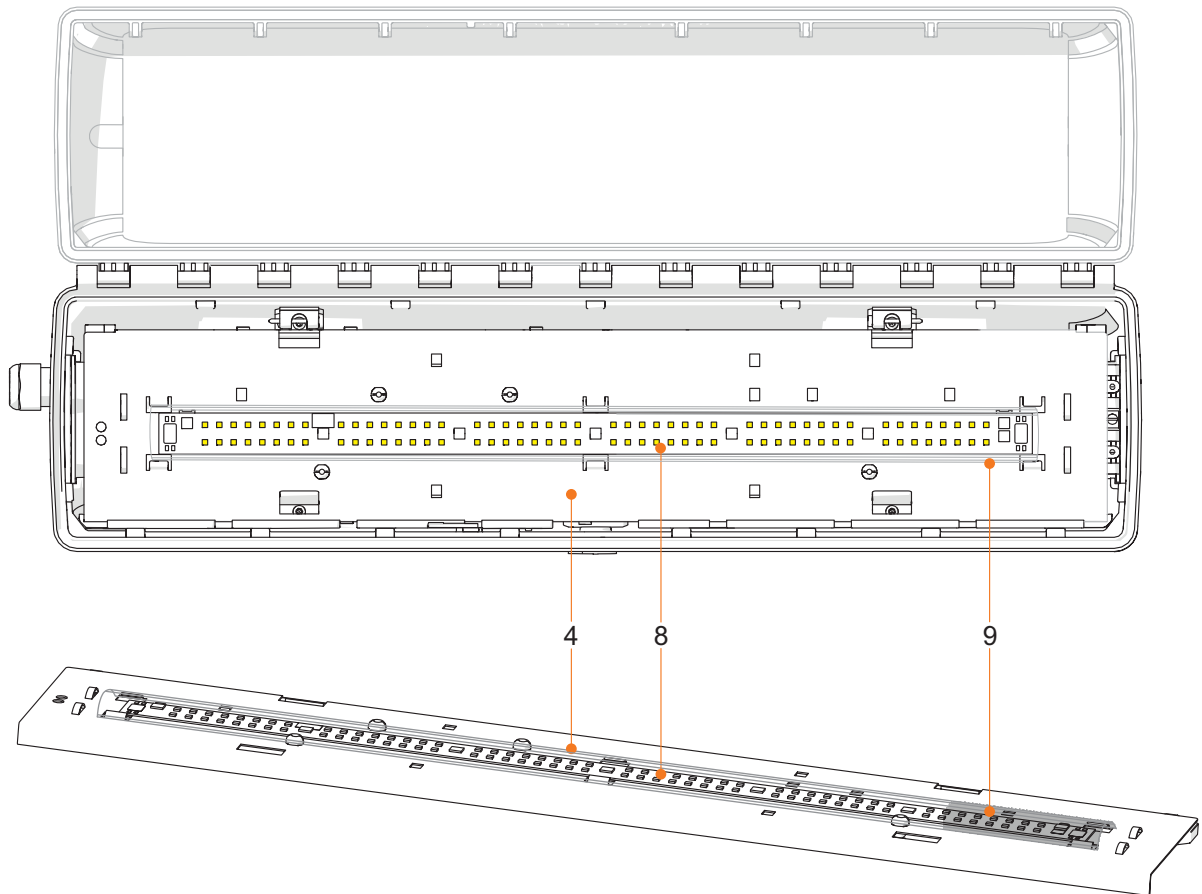


20222E00

- | | | | |
|---|---------------------------|---|---------------------|
| 1 | Translucent cover | 5 | Cable entry |
| 2 | Address module (optional) | 6 | Connection terminal |
| 3 | Control gear | 7 | Luminaire enclosure |
| 4 | Mounting plate | | |

EN

EN



20223E00

EN

- 4 Mounting plate
- 8 LED PCB

- 9 Diffuser

5 Technical data

Explosion Protection

Global (IECEx)

Gas and dust

IECEx IBE 14.0080X
 Ex ec IIC T4 Gc
 Ex db ec IIC T4 Gc ¹⁾
 Ex ec nC IIC T4 Gc ²⁾
 Ex db ec nC IIC T4 Gc ^{1) 2)}
 Ex tb op is IIIC T100 °C Db
 Ex tc IIIC T100 °C Dc

Europe (ATEX)

Gas and dust

IBExU 14 ATEX 1292
 Ⓢ II 3 G Ex ec IIC T4 Gc
 Ⓢ II 3 G Ex db ec IIC T4 Gc ¹⁾
 Ⓢ II 3 G Ex ec nC IIC T4 Gc ²⁾
 Ⓢ II 3 G Ex db ec nC IIC T4 Gc ^{1) 2)}
 Ⓢ II 2 D Ex tb op is IIIC T100 °C Db
 Ⓢ II 3 D Ex tc IIIC T100 °C Dc

Note

- ¹⁾ Luminaires with all-pole disconnection
- ²⁾ Luminaires with address module

Certifications and certificates

Certificates

IECEx, ATEX, India (PESO)

Technical Data

Electrical data

Rated operational voltage

IECEX, ATEX:

Standard + DALI Size 2, Size 4	with address module Size 2, Size 4	Standard + DALI Size 6
100 to 240 V AC ±10 %, 50 to 60 Hz	220 to 230 V AC ±10 %, 50 Hz	220 to 240 V AC ±10 %, 50 to 60 Hz
110 to 250 V DC ±10 %	194 to 250 V DC ±10 %	200 to 250 V DC ±10 %

India (PESO):

Standard + DALI Size 2, Size 4	with address module Size 2, Size 4
220 to 240 V AC ±10 %, 50 to 60 Hz	220 to 230 V AC ±10 %, 50 Hz
200 to 250 V DC ±10 %	194 to 250 V DC ±10 %

Rated operational current

	Size 2	Size 4	Size 6
230 V; 50 Hz	100 mA	190 mA	230 mA
110 V; 60 Hz	185 mA	350 mA	–

Inrush current

$I_{peak} = 53.5 \text{ A}$; $\Delta t = 124.8 \mu\text{s}$
maximum number of luminaires per miniature circuit breaker:

Type	10 A	16 A	20 A	25 A
B	12	19	24	30
C	20	32	40	50
K	40	64	80	100

Power factor

	Size 2	Size 4	Size 6
230 V; 50 Hz	≥ 0.88	≥ 0.95	≥ 0.95
110 V; 60 Hz	≥ 0.97	≥ 0.98	–

THD

	Size 2	Size 4	Size 6
230 V; 50 Hz	≤ 15 %	≤ 7 %	≤ 7 %
110 V; 60 Hz	≤ 7 %	≤ 9 %	–

Protection class

I (with internal PE connection)

Technical Data

Luminous characteristics

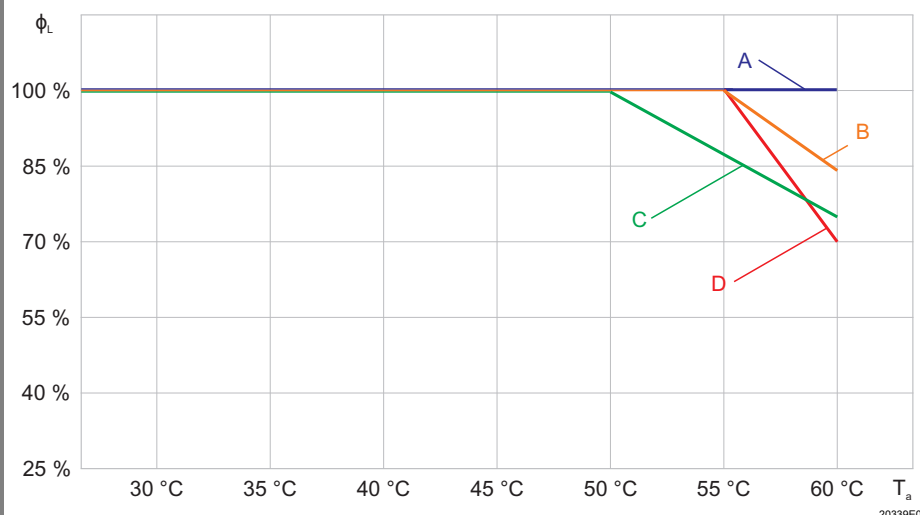
Colour rendering $R_a \geq 80$
 Colour temperature 4000 K, 5000 K or 6500 K depending on the variant
 Luminous flux

	6402/4.2.		6402/4.4.		6402/4.6.	
Size	2		4		6	
Power consumption [W]	22		42		50	
Diffuser	with	without	with	without	with	without
Luminous flux [lm]	2.910	3.230	5.810	6.460	6.960	7.720
Luminaire efficacy [lm/W]	132	147	138	154	139	154

Values apply to $T_a = +25\text{ °C}$.

Luminous flux decline

- during DC operation to 50 % (standard)
- in DC operation without luminous flux decline (optional)
- at ambient temperature



- A: size 2; 110 to 230 V
- B: size 4; 230 V
- C: size 4; 110 V
- D: size 6; 230 V

Ambient conditions

Operating temperature range

	Standard + DALI Size 2, Size 4	Standard + DALI Size 6	with address module Size 2, Size 4
without through wiring	-40 to +60 °C	-20 to +60 °C	-30 to +50 °C
I_N through wiring $\leq 10\text{ A}$	-40 to +60 °C	-20 to +60 °C	-30 to +50 °C
I_N through wiring $\leq 16\text{ A}$	-40 to +55 °C	-20 to +55 °C	-30 to +45 °C

Storage

-40 to +75 °C

Technical Data

Service life

LED	L ₉₀ B ₅₀ : 100,000 h		
	L _x B _y At the end of the service life:		
	<ul style="list-style-type: none"> • Luminous flux decline to "x" percent • Up to "y" percent of all luminaires fall below "x" 		
LED control gear		Standard + DALI Size 2, Size 4	with address module Size 2, Size 4
	C10 at 50 °C	≥ 100,000 h	≥ 50,000 h
	C10 at 60 °C	≥ 100,000 h	≥ 50,000 h

Mechanical data

Degree of protection	Size 2, Size 4: IP66 / IP67 (IEC 60598) Size 6: IP66 (IEC 60598) Size 2, Size 4, Size 6: IP64 if a breather is used
Impact strength (IK code)	IK10 (IEC 62262)
Material	
Enclosure	Polyester resin, glass fibre-reinforced
Enclosure colours	Colour grey, similar to RAL 7035
Lamp cover	Polycarbonate
Seal	Silicone foam gasket in the lamp cover
Luminaire locking	Central locking which can be opened/closed using a socket key M8 / wrench size 13, hinged lamp cover


Mounting / Installation

Cable glands	<p>Standard luminaire</p> <p>Plastic: 2 x M25 x 1.5 cable gland 8161 and 2 x M25 x 1.5 stopping plugs 8290 (enclosed)</p> <p>Metal: 2 x metal plates M20 x 1.5 connected by means of PE for metal cable entries Attention: cable entries must be ordered separately</p> <p>Special: max. 4 bores for M20, M25, NPSM ½" max. 2 bores for NPT ¾"</p> <p>Metal cable glands: M20 x 1.5, M25 x 1.5; earthing of the metal cable entries by means of metal plates</p>
Connection	<p>Spring clamp terminals</p> <p>Standard: 5-pole: L1, L2, L3, N, PE with address module: 5-pole: L+, N-, PE, L', N' with DALI: 7-pole: L1, L2, L3, N, PE, D1, D2</p> <p>Clamping range: 1 x 1.5 to 6 mm² (solid) 1 x 1.5 to 4 mm² (finely stranded) 1 x 1.5 to 6 mm² (finely stranded with core end sleeves) (2 free clamping units per pole available)</p>

6 Transport and storage

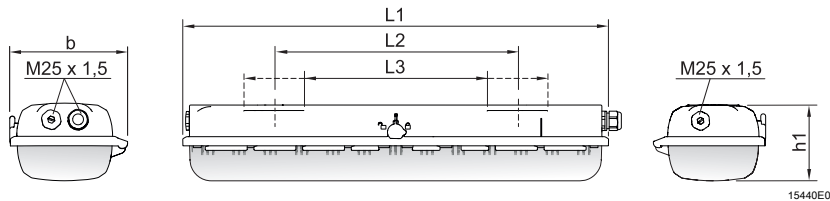
- Transport and store the device only in the original packaging.
- Store the device in a dry place (no condensation) and vibration-free.
- Do not drop the device.

7 Mounting and installation

	DANGER
<p>Explosion hazard due to incorrect installation of the device! Non-compliance results in severe or fatal injuries.</p> <ul style="list-style-type: none"> • Carry out installation strictly according to the instructions and national safety and accident prevention regulations to maintain the explosion protection. • Select and install the electrical device so that explosion protection is not affected due to external influences, i.e. pressure conditions, chemical, mechanical, thermal and electric impact such as vibration, humidity and corrosion (see IEC/EN 60079-14). • The device must only be installed by trained qualified personnel who is familiar with the relevant standards. 	

7.1 Dimensions / fastening dimensions

Dimensional drawings (all dimensions in mm [inches]) – Subject to modification



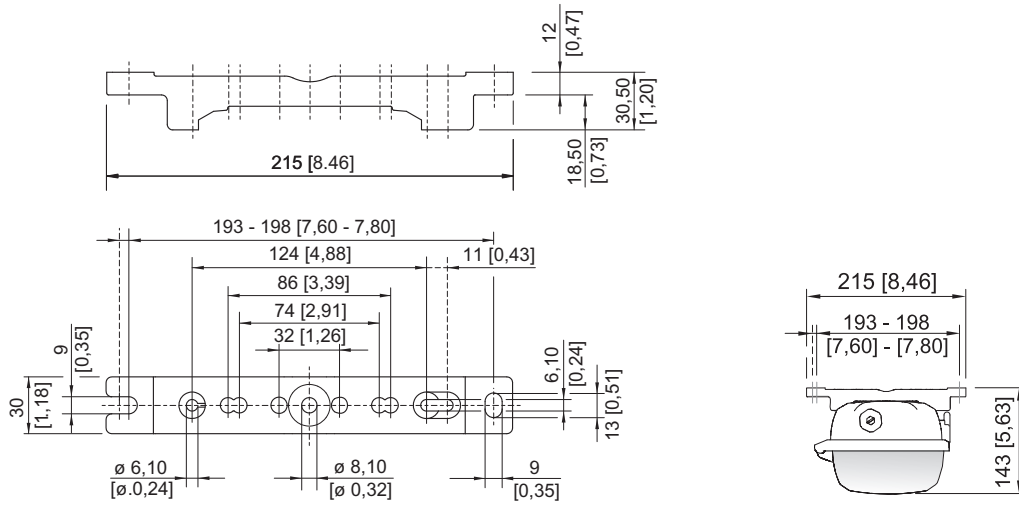
Dimen- sions	Luminaire		
	Size 2	Size 4	Size 6
L1	700 [27.56]	1310 [51.57]	1610 [63.39]
L2 ¹⁾	400 [15.75]	800 [31.50]	800 [31.50]
L3 ²⁾	320 to 480 [12.60 to 18.90]	670 to 930 [26.38 to 36.61]	670 to 930 [26.38 to 36.61]
b	184 [7.24]	184 [7.24]	184 [7.24]
h1	125 [4.92]	125 [4.92]	125 [4.92]

¹⁾ fixed mounting distance

²⁾ variable mounting distance

EXLUX 6402/4 standard luminaire

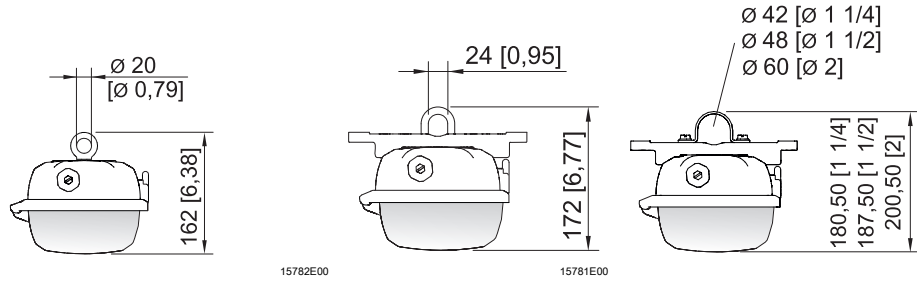
Dimensional drawings for assembly parts and accessories
(all dimensions in mm [inches]) – Subject to alterations



15778E00

15779E00

Mounting rail



15782E00

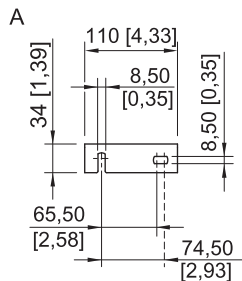
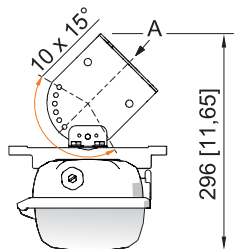
15781E00

15783E00

Ring bolt fitted in insert nut of the luminaire

Mounting bracket fitted in mounting rail

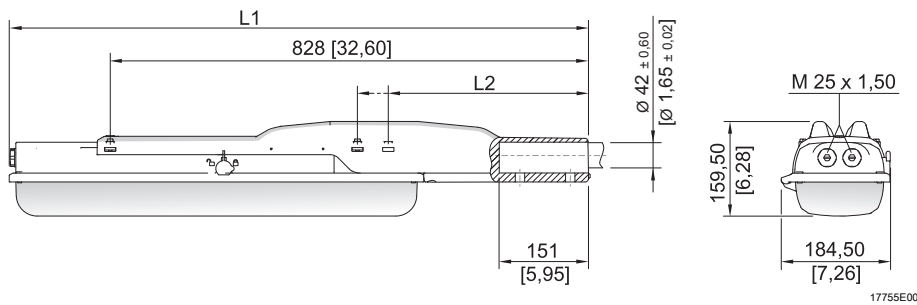
Pipe clamp fitted in mounting rail



15780E00

Wall mounting bracket fitted in mounting rail

Dimensional drawings for assembly parts and accessories
(all dimensions in mm [inches]) – Subject to alterations




Dimensions	Luminaire	
	Size 2	Size 4
L1	978 [38.50]	1587 [62.48]
L2	390 [15.35]	338 [13.31]

Linear luminaire EXLUX with pole mounting sleeve




7.2 Removing protective foil

As standard, the luminaire is generally delivered with protective foil on the translucent cover. However, in some cases, it can be delivered without protective foil.

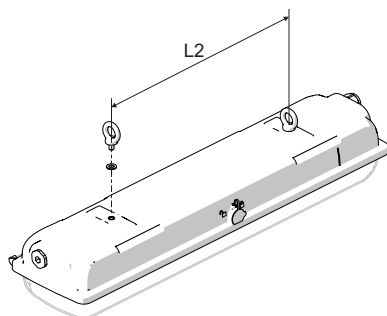
	DANGER
	<p>Explosion hazard due to electrostatic discharge! Non-compliance results in severe or fatal injuries.</p> <ul style="list-style-type: none"> • Only remove protective foil in safe areas.

- If protective foil is available:
Remove protective foil prior to commissioning.

7.3 Mounting / dismantling, operating position

	<p style="text-align: center;">DANGER</p> <p>Explosion hazard due to electrostatic discharge! Non-compliance results in severe or fatal injuries.</p> <p>Do not use the luminaire in strong charge generating environments!</p> <p>The following processes/activities should be avoided:</p> <ul style="list-style-type: none"> • accidental friction • particle currents
	<p style="text-align: center;">DANGER</p> <p>Explosion hazard due to inadmissible heating! Non-compliance results in severe or fatal injuries.</p> <ul style="list-style-type: none"> • Avoid external heat sources and/or direct sunlight (risk of change of temperature class or change of maximum permissible surface temperature). • Do not exceed the maximum ambient temperature due to external heat sources (premature failure of equipment).
	<p>The luminaire is suitable for wall and ceiling mounting. In event of wall mounting in outdoor areas, avoid installation with central lock at top. The mounting position with upward light emission in outdoor areas is prohibited.</p>

Suspension at fixed mounting points

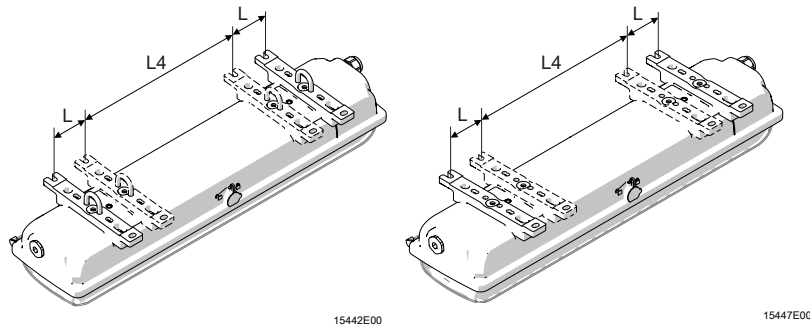


Size	L2 mm [inch]
2	400 [15.75]
4	800 [31.50]
6	800 [31.50]

max. screw-in depth 10 mm [0.39]

15446E00

Suspension at movable mounting parts

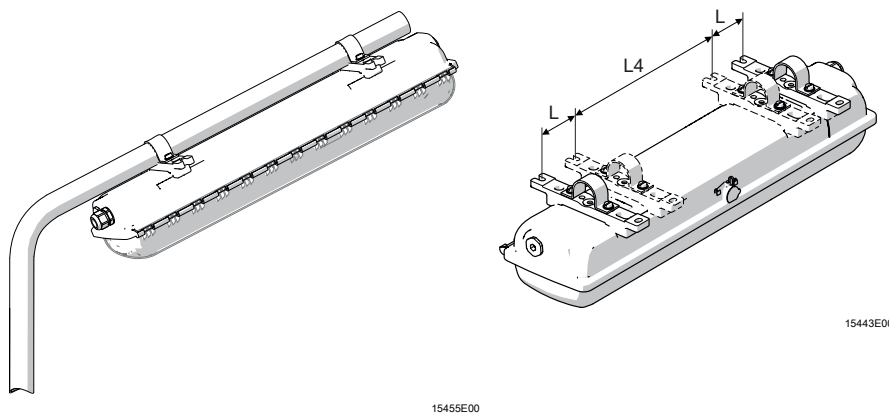


Mounting bracket	Top rail	
Size	L4 mm [inch]	L mm [inch]
2	320 [12.60]	80 [3.15]
4	670 [26.38]	130 [5.12]
6	670 [26.38]	130 [5.12]

Lateral mounting pockets for variable points of suspension.

i	<p>When mounting the luminaire using top rails, ensure that the mounting surface is flat. Otherwise, the enclosure might be mounted in a warped/ twisted way. The result is leakage of the luminaire and difficulties in replacing the translucent cover.</p>
----------	---

Pole suspension
Pole mounting using pipe clamps

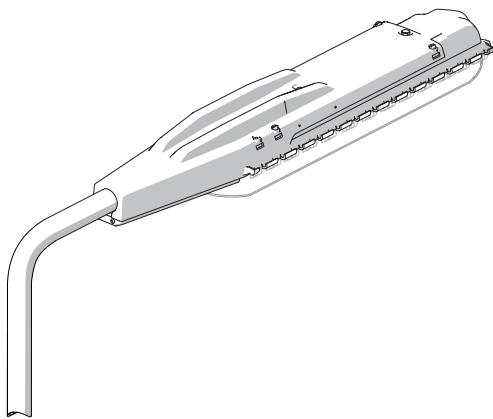


Size	L4 mm [inch]	L mm [inch]
2	320 [12.60]	80 [3.15]
4	670 [26.38]	130 [5.12]
6	670 [26.38]	130 [5.12]

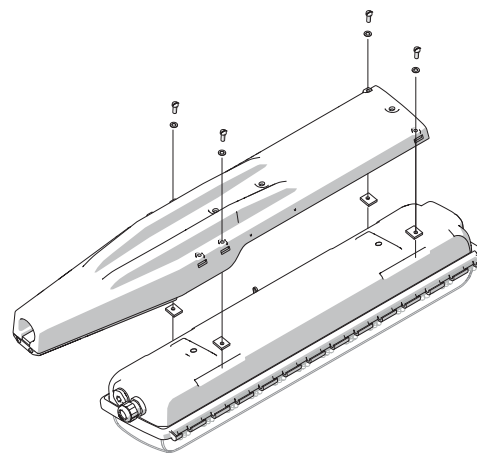
i For pipe clamp mounting, use the solution of R. STAHL Schaltgeräte GmbH with integrated mounting rail providing reliable and stable four-point fixing! In case of point suspension using pipe clamps, R. STAHL Schaltgeräte GmbH does not guarantee the strength and tightness of the luminaire!

Pole mounting using pole mounting sleeve

i Only for size 2 and size 4

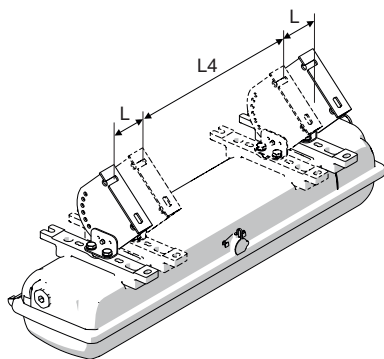


17761E00

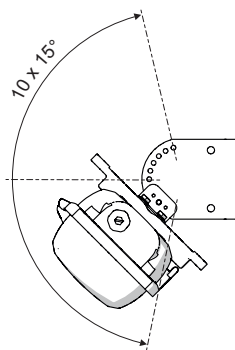


17762E00

Wall bracket mounting



15515E00




15517E00


Size	L4 mm [inch]	L mm [inch]
2	320 [12.60]	80 [3.15]
4	670 [26.38]	130 [5.12]
6	670 [26.38]	130 [5.12]

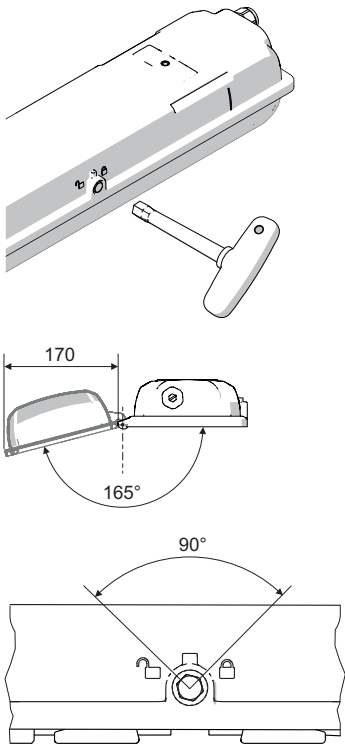
7.4 Installation

7.4.1 Opening and Closing of the Enclosure

	DANGER
	<p>Risk of electric shock due to improper opening! Non-compliance results in severe or fatal injuries.</p> <ul style="list-style-type: none"> • Open luminaires without switch only in de-energized state (see information plate on the lock)!

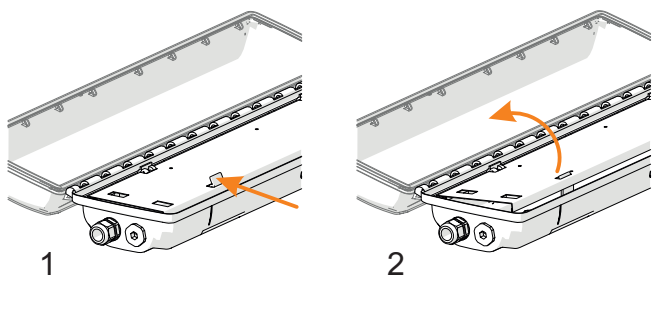
NOTICE
<p>Danger due to electrostatic discharge. Electronic components can be destroyed if touched.</p> <ul style="list-style-type: none"> • Do not touch the LED-PCBs!

	<p>Recommendation Opening and closing of the luminaire by using a socket wrench from R. STAHL Schaltgeräte GmbH.</p>
---	---

 <p style="font-size: 0.8em; margin-top: 5px;">15448E00</p> <p style="font-size: 0.8em; margin-top: 5px;">15451E00</p> <p style="font-size: 0.8em; margin-top: 5px;">15438E00</p>	<ul style="list-style-type: none"> • Remove the closing cap of the central lock. • Turn the central lock using a box spanner M8, spanner size 13, by 90° to the left as far as it will go. • Swivel down the translucent cover. • Proceed in reverse order to close. • The seal of the translucent cover must lie correctly on the sealing edge. • Push the closing cap onto the central lock opening (protection against dirt).
---	--

i	<p>Observe the following during mounting and dismantling:</p> <ul style="list-style-type: none"> • Version without switch: Disconnect the luminaire from the power supply and secure it against being switched on again. • Do not use force when opening or closing the enclosure. <p>Central lock</p> <ul style="list-style-type: none"> • Version with switch: The luminaire is positively disconnected from the power supply by actuating the central lock. • In open end position and with translucent cover swivelled down, an anti-pumping device prevents the central lock from being actuated.
----------	--

Opening and closing the reflector plate

	<p>Opening:</p> <ul style="list-style-type: none"> • Open the reflector plate by pressing down on the safety latch (1). • Swivel down the reflector plate (2). <p>Closing:</p> <ul style="list-style-type: none"> • Flip up the reflector plate and snap it into place.
--	--

7.4.2 Electrical connections

Electrical connection

Observe the maximum clamping possibility of the connection terminals (see chapter "Technical data").

Observe the following when connecting to the electrical connection:

- Clamping must be carried out precisely.
- Do not clamp any part of the conductor insulation.
- Do not mix up the conductors.
- Observe the technical regulations when connecting the conductor.
- Clamp the conductor firmly.

Connection terminals

Clamping range:

1 x 1.5 to 6 mm² (solid)

1 x 1.5 to 4 mm² (finely stranded)

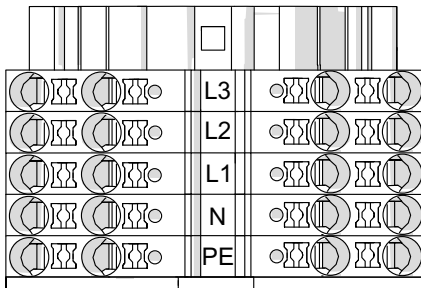
1 x 1.5 to 6 mm² (finely stranded with core end sleeves)

(2 free clamping units per pole available)

Stripping length:

10 to 12 mm

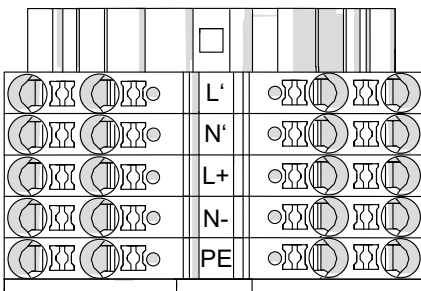
Standard:



L1, L2, L3 = phase
 N = neutral conductor
 PE = protective conductor

20219E00

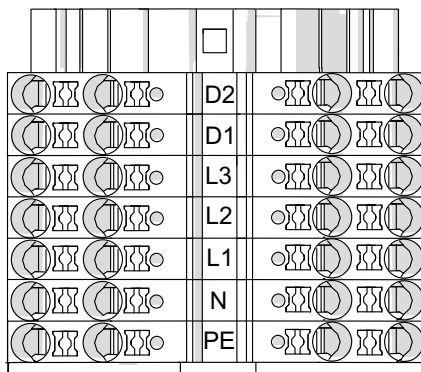
with address module:



L', N' = control input
 L+, N- = final electrical circuit
 PE = protective conductor

20220E00

with DALI connection:



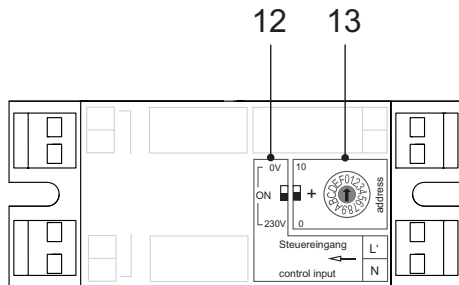
D1, D2 = DALI connection
 L1, L2, L3 = phase
 N = neutral conductor
 PE = protective conductor

20221E00

Through wiring of the mains supply connection

i	Through wiring with 2.5 mm ² cross section for max. 16 A.
----------	--

7.4.3 Luminaires with address module



18812E00

- 12 Logic switch
- 13 Address switch

Address setting

NOTICE
Before operating an emergency lighting central battery system, the luminaire addressing is to be performed by means of a 4 mm screwdriver for slotted screws.

Address switch (13):

Slide switch 0 / 10	Rotary switch 0 / F	Luminaire address
0	0	0 (invalid)
0	1	1
0	2	2
...
0	9	9
0	A	10
10	0	10
10	1	11
...
10	9	19
10	A	20
10	B to E	invalid
10	F	Addressing via software

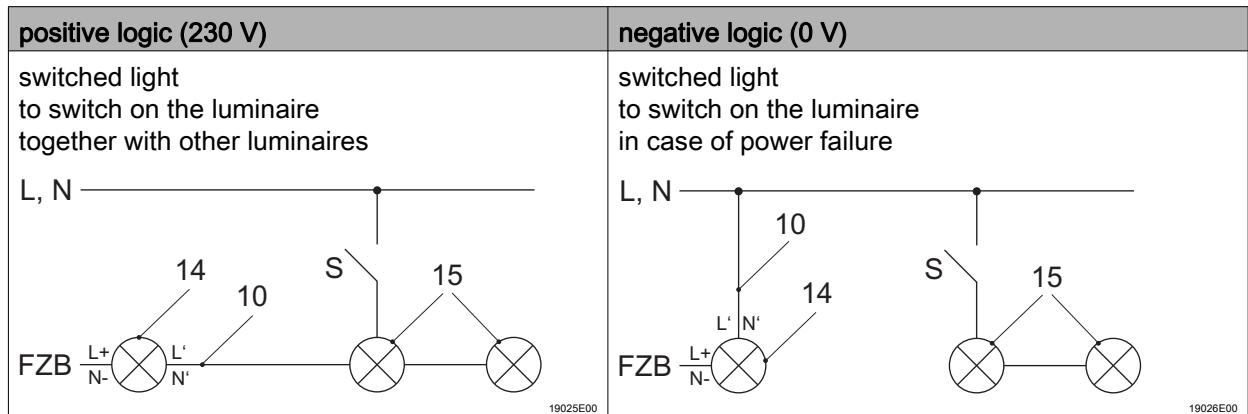
Control input

The address module provides the opportunity to connect a control line for switching the luminaire.

Logic switch (12):

Slide switch 0 V / 230 V	Function
0 V	negative logic
230 V	positive logic

Switching options:



L, N Power supply network
FZB Battery system
S General lighting switch

10 Control line
14 Emergency lighting
15 General lighting

7.4.4 Cable entries


The standard luminaire is delivered with 3 lead-in holes, 2 cable glands and 2 stopping plug.

Tightening torques for components from R. STAHL Schaltgeräte GmbH

Luminaires with installed cable entries and stopping plugs from R. STAHL Schaltgeräte GmbH must be tightened using the following values:

		Tightening torque	
		Connection thread	Pressure screw
Cable entry 8161	M20 x 1.5	2.3 Nm	1.5 Nm
	M25 x 1.5	3.0 Nm	2.0 Nm
Stopping plugs 8290	M20 x 1.5	1.0 Nm	–
	M25 x 1.5	1.5 Nm	–


Luminaires with cable entries and stopping plugs which are not supplied by R. STAHL Schaltgeräte GmbH

	DANGER
	<p>Explosion hazard due to impermissible cable entries and stopping plugs! Non-compliance results in severe or fatal injuries.</p> <ul style="list-style-type: none"> • Only use separately certified cable glands and stopping plugs which have been tested and certified according to Directive 2014/34/EU (ATEX) or IECEx (CoC) and which comply with the standard version stated in the certificate of the luminaire.

Please observe the following:

- the required dust resistance!
- the required type of protection!
- the required temperature resistance!
- the IP degree of protection according to the rating plate!
- the operating instructions of the cable entries and stopping plugs!
- the required tightening torques!
- the range of the permissible cable diameter!

8 Commissioning


	DANGER
	<p>Explosion hazard due to incorrect installation! Non-compliance results in severe or fatal injuries.</p> <ul style="list-style-type: none"> • Check the device for proper installation before commissioning. • Comply with national regulations.
NOTICE	
<p>Malfunction or device damage caused by condensation. Non-compliance can result in material damage!</p> <ul style="list-style-type: none"> • operate the luminaire continuously or periodically over extended periods of time. • avoid thermal bridges. 	

Before commissioning, ensure the following:

- Check the mounting and installation.
- Inspect enclosure for damage.
- If necessary, remove foreign bodies.
- If necessary, clean the connection chamber.
- Check if the conductors have been inserted correctly.
- Check if all screws and nuts have been tightened firmly.
- Check if all drilled holes are closed.
- Check whether all the cable entries and stopping plugs have been tightened firmly.


- Check if all conductors have been clamped firmly.
- Check if the line voltage and the rated operational voltage are consistent.
- Check if the permissible conductor diameter for the corresponding cable entries have been used.
- Check if the device is closed according to regulations.
- the LED assembly and the diffusor are clean.
- Check that there is no protective foil on the translucent cover.

9 Maintenance, Overhaul, Repair

	CAUTION
	<p>Risk of electric shock or malfunction of the device due to unauthorized work! Non-compliance can result in light injuries!</p> <ul style="list-style-type: none"> • Before carrying out work on the device, switch off voltage supply. • Work performed on the device must only be carried out by authorized and appropriately trained qualified electricians.

9.1 Maintenance


- Consult the relevant national regulations to determine the type and extent of inspections.
- Adapt inspection intervals to the operating conditions.
- Perform maintenance and repair work in accordance with IEC 60079-17 and IEC 60079-19.

	<p>Observe the relevant national regulations in the country of use.</p>
---	---

As a minimum, check the following points during maintenance work on the device:

- Whether the clamping screws holding the cables are securely seated
- Whether the device enclosure and/or protective enclosure have cracks or other visible signs of damage
- Whether the seal shows signs of ageing or damage (completely replace enclosure components with damaged foamed seal)
- Whether the device is clean inside and out
- Whether the permissible temperatures (in accordance with EN 60079) are complied with
- Whether the cable entry is intact and securely tightened
- Whether the cables and lines show signs of ageing and damage
- Intended use and function.

9.2 Repair

	DANGER
	<p>Explosion hazard due to improper repair! Non-compliance results in severe or fatal injuries.</p> <ul style="list-style-type: none"> • Only perform repairs on the device using original spare parts from R. STAHL Schaltgeräte GmbH, taking the associated installation instructions into account.

Repairs carried out on the mounting plate are not permitted. Replace the mounting plate completely in case of malfunction.

9.3 Returning the device

- Only return or package the devices after consulting R. STAHL!
Contact the responsible representative from R. STAHL.

R. STAHL's customer service is available to handle returns if repair or service is required.

- Contact customer service personally.

or

- Go to the r-stahl.com website.
- Under "Support" > "RMA" > select "RMA-REQUEST".
- Fill out the form and send it.
You will automatically receive an RMA form via email. Please print this file off.
- Send the device along with the RMA form in the packaging to
R. STAHL Schaltgeräte GmbH (refer to chapter 1.1 for the address).

10 Cleaning

- Clean the device only with a cloth, brush, vacuum cleaner or similar items.
- When cleaning with a damp cloth, use water or mild, non-abrasive, non-scratching cleaning agents.
- Do not use aggressive detergents or solvents.

11 Disposal

- Observe national and local regulations and statutory regulation regarding disposal.
- Separate materials when sending it for recycling.
- Ensure environmentally friendly disposal of all components according to the statutory regulations.

12 Accessories and Spare parts

NOTICE

Malfunction or damage to the device due to the use of non-original components.
Non-compliance can result in material damage.

- Use only original accessories and spare parts from R. STAHL Schaltgeräte GmbH.



For accessories and spare parts, see data sheet on our homepage
r-stahl.com.

EU-Konformitätserklärung
EU Declaration of Conformity
Déclaration de Conformité UE





R. STAHL Schaltgeräte GmbH • Am Bahnhof 30 • 74638 Waldenburg, Germany
 erklärt in alleiniger Verantwortung, *declares in its sole responsibility, déclare sous sa seule responsabilité,*

dass das Produkt: LED Langfeldleuchte
that the product: LED Linear Luminaire
que le produit: LED Luminaire Linéaire

Typ(en), type(s), type(s): 6402/4...-...-...-...-...

mit den Anforderungen der folgenden Richtlinien und Normen übereinstimmt.
is in conformity with the requirements of the following directives and standards.
est conforme aux exigences des directives et des normes suivantes.

Richtlinie(n) / Directive(s) / Directive(s)	Norm(en) / Standard(s) / Norme(s)
2014/34/EU ATEX-Richtlinie 2014/34/EU ATEX Directive 2014/34/UE Directive ATEX	EN IEC 60079-0:2018 EN 60079-1:2014 EN IEC 60079-7:2015/A1:2018 EN IEC 60079-15:2019 EN 60079-28:2015 EN 60079-31:2014
Kennzeichnung, marking, marquage:	II 3 G Ex ec IIC T4 Gc II 3G Ex db ec IIC T4 Gc II 3G Ex ec nC IIC T4 Gc II 3G Ex db ec nC IIC T4 Gc II 3 D Ex tc IIIC T100 °C Dc II 2 D Ex tb op is IIIC T100°C Db   0158
EU-Baumusterprüfbescheinigung: <i>EU Type Examination Certificate:</i> <i>Attestation d'examen UE de type:</i>	IBExU 14 ATEX 1292 (IBExU Institut für Sicherheitstechnik GmbH Fuchsmühlenweg 7, 09599 Freiberg, Germany)
Produktnormen nach Niederspannungsrichtlinie: <i>Product standards according to Low Voltage Directive:</i> <i>Normes des produit pour la Directive Basse Tension:</i>	EN 60598-1:2015/A1:2018 EN 60598-2-22:2014/AC:2015 EN 62471:2008
2014/30/EU EMV-Richtlinie 2014/30/EU EMC Directive 2014/30/UE Directive CEM	EN 61547:2009 EN 55015:2013 EN 61000-3-2:2014 EN 61000-3-3:2013
2011/65/EU RoHS-Richtlinie 2011/65/EU RoHS Directive 2011/65/UE Directive RoHS	EN 50581:2012

Waldenburg 2020-08-10

Ort und Datum
Place and date
Lieu et date

i.V.


Dr. A. Kaufmann
Leiter BU Leuchten & Signalgeräte
Head of BU Lightings & Signalling
Directeur BU Eclairage & Appareils de signalisation

i.V.


J. Freimüller
Leiter Qualitätsmanagement
Director Quality Management
Directeur Assurance de Qualité