

## Data Sheet

# 1106 Pulsation Dampener & 1112 Pressure Snubber

### FEATURES: 1106

- Horizontal or vertical Installation
- Self-cleaning
- Selectable dampening for process medias

### FEATURES: 1112

- All metal construction
- Many porosity settings available
- Filter disk, less tendency to clog than orifice type device

### TYPICAL USES

- Oil and gas
- Refineries
- Chemical and petrochemical
- Water and wastewater
- Biogas and biodiesel

### SPECIFICATIONS: 1106

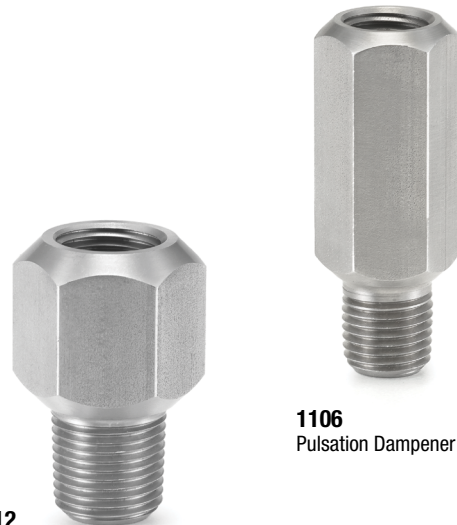
Process Conn:	¼ NPT Male, ½ NPT Male
Instrument Conn:	¼ NPT Female, ½ NPT Female
Max Allowable Working Pressure:	5,000 psi

### SPECIFICATIONS: 1112

Process Conn:	¼ NPT Male, ½ NPT Male
Instrument Conn:	¼ NPT Female, ½ NPT Female
Max Allowable Working Pressure:	1112B: 10,000 psi 1112S: 15,000 psi

### WETTED COMPONENTS

Model	Materials
1106B	Brass/316 Stainless Steel
1106D	Steel/Stainless Steel
1106S	Stainless Steel
1112B	Brass/316 Stainless Steel
1112S	303 Stainless Steel/316 Stainless Steel



**1112**  
Snubber

**1106**  
Pulsation Dampener

### KEY BENEFITS: 1106 PULSATION DAMPENER

- Adjustable, self cleaning
- Protects pressure instruments from process pulsation

### KEY BENEFITS: 1112 PRESSURE SNUBBER

- Filter disc available with wide porosity options for a variety of process media
- Low profile design for space restricted applications

**1106** - Provides restriction by means of a moving pin, which may be placed in either of five different sized holes, and this allows the user to vary the amount of dampening to suit the requirements. The pulsating pressure moves the pin up and down, providing a self-cleaning action. Dampeners are shipped with a pin in the 'middle' hole, and may be used in either a vertical or horizontal position. Maximum pressure is 5000 psi.

**1112** - Used for dampening and filtering, the snubber has a metal disc available in four grades of porosity. The one best suited for the application can be selected from the ordering code. Due to the large filter area, the snubber has less tendency to clog than orifice-type devices. All-metal construction permits the snubber to be washed in a variety of common solvents.

## Data Sheet

### 1106 Pulsation Dampener & 1112 Pressure Snubber

ORDERING CODE:		Example:	02	1112	S	D	25	X5G
<b>Process Connection</b>								
02 - ¼ NPT Male			02					
04 - ½ NPT Male								
<b>Model</b>								
1106 - Pulsation dampener								
1112 - Pressure snubber				1112				
<b>Housing Material</b>								
B - Brass								
S - 303 Stainless Steel					S			
D - Steel (1106 only)								
<b>Porosity (For use with 1112 only)</b>								
	<b>Max. Pore Capacity</b>	<b>CFH at 1 psi Diff. Pressure</b>	<b>Process Media</b>					
D	0.005	6.5	Oil			D		
E	0.0025	3.0	Water & Light Oils					
G	0.0008	1.1	Air, Steam & Gases					
<b>Instrument Connection</b>								
25 - ¼ NPT Female (only available with 02 code above)							25	
50 - ½ NPT Female (only available with 04 code above)								
<b>Options (if choosing an option(s) must include an "X")</b>								X _ _
5G - Siphon attached to instrument								5G
NH - Stainless Steel tag wired to snubber/dampener								

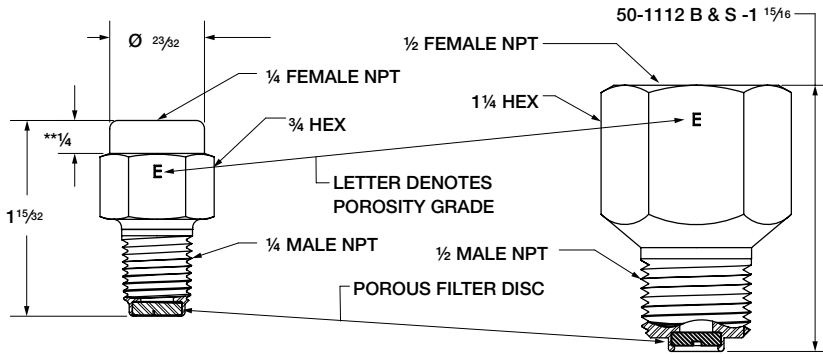
## Data Sheet

# 1106 Pulsation Dampener & 1112 Pressure Snubber

### DIMENSIONS

For reference only, consult Ashcroft for specific dimensional drawings

### 1112 PRESSURE SNUBBER



\*\*THIS DIM. APPLIES TO CAT. Nos 1112B & 1112S ONLY

### 1106 PULSATION DAMPENER

