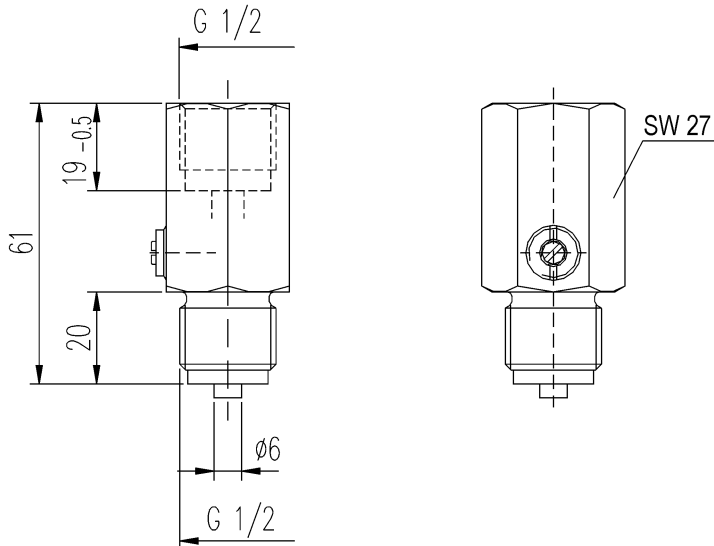
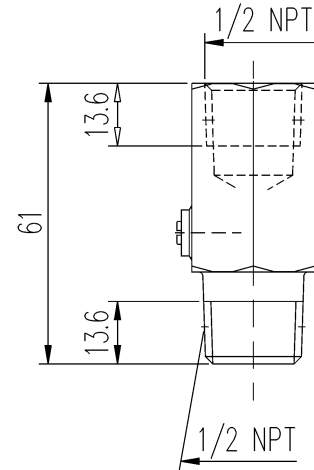


# Gauge snubber / pulsation dampener

Style A (27 mm hex)



Style B (32 mm square bar stock)



Type	Material	Connection thread <sup>1)</sup>	Part no.
1	brass st. st. 316Ti (1.4571)	G 1/2	15-PD02-A-BR-51-250-BAR 15-PD02-A-ST-51-400-BAR
2	brass st. st. 316L (1.4404) st. st. 316Ti (1.4571) Monel Hastelloy C-276	1/2 NPT	04-PD02-A-BR-50-250-BAR 04-PD02-A-SS-50-400-BAR 04-PD02-A-ST-50-400-BAR 04-PD02-A-PM-50-400-BAR 04-PD02-B-HH-50-400-BAR

Components	Brass	Steel	Stainless steel
	DIN-Material Number		
Body <sup>2)</sup>	brass	steel	316Ti (1.4571)
Screw plug	brass	steel	316Ti (1.4571)
O-ring	NBR		Viton®
Adjusting stem	316L (1.4404)		

- Surface: steel phosphatized

- max. temperature: 120 °C

<sup>1)</sup> Also available with connection thread G 1/4, G 3/8 and 1/4 NPT

<sup>2)</sup> The brass and stainless steel types can be supplied for oxygen service. Please notice order instruction B 3!  
max. 400 bar at 60 °C