

Flush type flanged diaphragm seal

Model DF EN

according to EN 1092-1



FEATURES

- All-welded design
- Variety of wetted parts materials, special materials cover the sealing surface too
- Filling port in the instrument connection
- Suitable for pressure gauges, switches and transmitters
- Continuous duty design
- Minimized fill volume

APPLICATIONS

- Corrosive processes
- Controlling fugitive emissions
- Elevated process temperatures
- Suspended solids in the process
- Limited space
- Where flush connections are preferred

CONSTRUCTION

The DF Type allows a flush installation on pipe, tank or vessel applications. All of the combinations afford instrument protection from corrosives, heat and clogging issues associated with viscous media or solids.

SPECIFICATIONS

Maximum Pressure Rating

PN10, PN16, PN25, PN40, PN63, PN100, others on request

Flange Material

Stainless Steel 1.4404 (316L)

Diaphragm Materials

Stainless Steel 1.4435 (316L), Hastelloy C-276, Tantalum, Monel 400, optional PTFE (Teflon) or ECTFA (Halar) coating or Gold plating, others on request

Instrument Connection Material

Stainless Steel 1.4404 (316L)

Instrument Connection Sizes

G ¼, G ½ female, ¼ NPT, ½ NPT female, Port for direct welded instruments or capillary line

Process Connections

DN25, DN40, DN50, DN80, DN100, DN125 according to EN 1092-1 Form B1 or B2, others on request

Accuracy (typical)

Seal will add 0,5 % to the stated full scale accuracy of the instrument attached.

Standard Fill Medias

Silicone
Halocarbon
Syltherm
FDA approved white oil, silicone free
*Others available upon request

ATEX

Conformity according to RL 2014/34/EU appendix X for mechanical equipment in potential hazardous areas:

Optional, marking

CE 0044 Ex II 2 GD c II TX

File no. 35101282 at notified body 0044, TÜV NORD CERT

The temperature class will be determined by the used measuring device.

OPTIONS

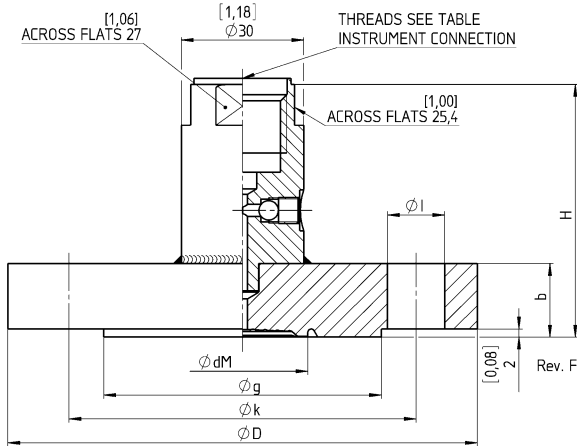
- DU - Welded instrument connection
- MQ - PMI-test
- 6B - Cleaned for Oxygen service
- C3 - Material certificate EN 10204 3.1
- CD5 - NACE certificate

ACCESSORIES

Flushing ring, capillary line, cooling tower

General dimensions [mm]

INSTRUMENT CONN. THREADS	CODE
1/4 - 18 NPT FEMALE	02T
1/2 - 14 NPT FEMALE	04T
G 1/2 FEMALE; DIN EN 837	51T
G 1/4 FEMALE; DIN EN 837	26T
WELDING PORT	00T



Size DN	PRESSURE PN	ØD	b	Øg	ØDM	Øk	Øl	H	MIN SPAN	WEIGHT KG
DN25	PN2,5 - PN6	[3,94] 100	[0,55] 14	[2,36] 60	[1,26] 32	[2,95] 75	[0,43] 11 x 4	[2,25] 58	6 bar	1,0
	PN10 - PN40	[4,53] 115	[0,71] 18	[2,68] 68		[3,35] 85	[0,55] 14 x 4	[2,44] 62		1,5
	PN63 - PN100	[5,51] 140	[0,94] 24			[3,94] 100	[0,71] 18 x 4	[2,68] 68		3,0
DN40	PN2,5 - PN6	[5,12] 130	[0,55] 14	[3,15] 80	[1,73] 44	[3,94] 100	[0,55] 14 x 4	[2,28] 58	4 bar	1,5
	PN10 - PN40	[5,91] 150	[0,71] 18	[3,46] 88		[4,33] 110	[0,71] 18 x 4	[2,44] 62		2,5
	PN63 - PN100	[6,69] 170	[1,02] 26			[4,92] 125	[0,87] 22 x 4	[2,76] 70		4,0
DN50	PN2,5 - PN6	[5,51] 140	[0,55] 14	[3,54] 90	[2,24] 57	[4,33] 110	[0,55] 14 x 4	[2,28] 58	1 bar	2,0
	PN10 - PN16	[6,50] 165	[0,71] 18			[4,92] 125	[0,71] 18 x 4	[2,44] 62		3,0
	PN25 - PN40	[7,09] 180	[1,02] 26	[4,02] 102		[5,31] 135	[0,87] 22 x 4	[2,76] 70		3,5
	PN63	[7,68] 195	[1,10] 28			[5,71] 145	[1,02] 26 x 4	[2,83] 72		5,0
	PN100	[8,46] 215	[1,26] 32			[6,09] 170	[1,02] 26 x 4	[2,83] 72		6,0
DN80	PN2,5 - PN6	[7,48] 190	[0,63] 16	[5,04] 128	[5,43] 138	[5,91] 150	[0,71] 18 x 4	[2,36] 60	1 bar	3,5
	PN10 - PN16	[8,46] 215	[0,79] 20			[6,30] 160	[0,71] 18 x 8	[2,52] 64		5,0
	PN25 - PN40	[9,06] 230	[1,02] 26			[6,69] 170	[0,87] 22 x 8	[2,83] 72		6,0
	PN63	[9,65] 245	[1,26] 32			[7,09] 180	[1,02] 26 x 8	[2,99] 74		7,0
	PN100	[10,43] 265	[1,42] 36			[7,68] 195	[1,10] 28 x 8	[3,15] 80		9,0
DN100	PN2,5 - PN6	[8,27] 210	[0,63] 16	[5,83] 148	[3,46] 88	[6,69] 170	[0,71] 18 x 4	[2,36] 60	1 bar	4,5
	PN10 - PN16	[9,06] 230	[0,79] 20	[6,22] 158		[7,09] 180	[0,71] 18 x 8	[2,52] 64		6,0
	PN25 - PN40	[9,65] 245	[1,02] 26	[6,38] 162		[7,68] 195	[0,87] 22 x 8	[2,68] 68		8,0
	PN63	[10,43] 265	[1,26] 32	[6,38] 162		[8,27] 210	[1,02] 26 x 8	[2,91] 74		10,5
	PN100	[11,21] 285	[1,42] 36			[8,86] 225	[1,18] 30 x 8	[3,15] 80		13,5
DN125	PN2,5 - PN6	[9,45] 240	[0,71] 18	[7,01] 178	[7,40] 188	[7,87] 200	[0,71] 18 x 8	[2,44] 62	1 bar	6,5
	PN10 - PN16	[10,23] 260	[0,87] 22			[8,27] 210	[0,87] 22 x 8	[2,60] 66		8,5
	PN25 - PN40	[10,82] 270	[1,02] 26			[8,86] 220	[1,02] 26 x 8	[2,76] 70		11,0
	PN63	[11,60] 290	[1,26] 32			[9,45] 240	[1,18] 30 x 8	[3,07] 78		16,0
	PN100	[12,38] 310	[1,42] 36			[10,04] 250	[1,30] 33 x 8	[3,31] 84		21,5

Order information

Process connection	Diaphragm material	Flange material	Instrument connection	Rating	Flange form	Filling fluid	Options
Nominal Diameter	(S) 316L (1.4435)	(S) 316L (1.4404)	(00T) Welding port	Nominal pressure	(B1) Raised face form B1 (PN10 ... PN40)	(CK) Silicone (direct mounted or with capillary ≤ 10' (3 m), -40/600 °F, -40/315 °C)	(6B) Cleaned for Oxygen service (Halocarbon filling required)
(DN25)	(P) Monel 400		(02T) ¼ NPT female	(PN10)	(B2) Raised face form B2 (PN63, PN100)	(DJ) Silicone (with capillary > 10' (3 m), -40/600 °F, -40/315 °C)	(ATEX) ATEX approval
(DN40)	(U) Tantalum max. temp. 480 °F, 250 °C		(04T) ½ NPT female	(PN16)		(CF) Halocarbon (direct mounted or with capillary, -70/300 °F, -56/149 °C)	(DU) Welded instrument connection
(DN50)	(H) Hastelloy C276		(51T) G ½ female	(PN25)		(HA) Syltherm 800 (direct mounted or with capillary, -40/750 °F, -40/400 °C)	(NH) Tagging wired
(DN80)	(S-H) 316L (1.4435) Halar coated (ECTFE) Max. temp. 300 °F, 150 °C		(26T) G ¼ female	(PN40)		(GQ) FDA approved white oil, silicone free (direct mounted or with capillary ≤ 10' (3 m), 15/480 °F, -10/250 °C)	Material certificates according EN 10 204
(DN100)	(S-TC) 316L (1.4435) Teflon coated (PTFE) Max. temp. 300 °F, 150 °C			(PN63)			(C3) 3.1 traceability
(DN125)	(W) Gold plated			(PN100)			(CD5) NACE certificate MR 01-75/ISO 15156
others on request	others on request	others on request	others on request	others on request	others on request	others on request	(MQ) PMI test
							(1115A) Stainless steel armored capillary ¹⁾
							(1115P) Stainless steel armored capillary with PVC sheathing ¹⁾
							¹⁾ see data sheet G3.1115

Order example

Process connection	Type	Diaphragm material	Flange material	Instrument connection	Rating	Flange form	Filling fluid	Option
DN50	DF EN	H	S	51T	PN40	B1	CK	C3

Ashcroft Instruments GmbH

Germany
Max-Planck-Str. 1, D-52499 Baesweiler
P.O. Box 11 20, D-52490 Baesweiler
Tel.: +49 (0) 2401 808-0, Fax: +49 (0) 2401 808-125

France
48, Chemin des Landes
F-69700 Montagny
Tel.: +33 (0) 9 65 32 71 31, Fax: +33 (0) 4 72 39 10 57

Website: www.ashcroft.eu

e-Mail: sales@ashcroft.com

United Kingdom

Unit 17 & 18 William James House
Cowley Road, Cambridge CB4 0WX
Tel.: +44 (0) 12 23 39 55 00, Fax: +44 (0) 12 23 39 55 01