

## Type DG25 Digital General Purpose Gauge



Shown with optional black or orange protective boot



### FEATURES:

- 0,5 % terminal point accuracy (0,25 % optional)
- 5 digit LCD display with new large 12 mm character size
- New Bar Graph Display (20 segment)
- Nine engineering units of measure plus one user programmable unit
- Capable of measuring gauge, vacuum and compound ranges from and -1 bar through 1600 bar
- IP67 weatherproof enclosure
- CE compliant, RoHs compliant, UL and cUL 61010-1 (approval pending)
- The versatile and economical choice for a wide variety of applications

### BENEFITS:

The Ashcroft® DG25 series offers 0,5 % of span accuracy, while the laser welded stainless steel sensor and socket make this product suitable for use with a wide variety of pressure media in demanding industrial applications. This series is also available with enhanced accuracy of 0,25 % of span making it suitable for many test and measurement uses.

IP67 ingress protection rating means the DG25 is suitable for hose directed water spray such as equipment wash down. Nine preprogrammed engineering units of measure to read pressure in units applicable to the process or familiar to the technician using the gauge.

The DG25 comes standard with many features such as: tare, min and max memory, programmable custom engineering units, and pressure ranges from -1 to 1600 bar.

The DG25 was designed with the OEM in mind and can easily be custom configured to meet unique requirements, add or delete features and be customized with private label keypad overlays. Contact Ashcroft to discuss your OEM requirements!

### PRODUCT SPECIFICATIONS

**Accuracy:** 0,5 % F.S. standard, 0,25 % optional  
**LCD Display:** 5 Digit numeric top line, 5 character alphanumeric lower line, 20 segment vertical bar graph, 4 segment battery life indicator, dedicated icons for gauge timer, back light timer, tare, min and max

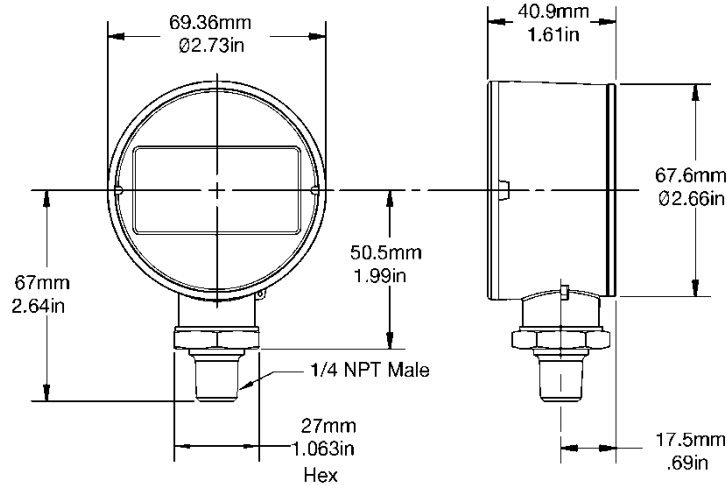
**Character Height:** Upper line 12 mm, Lower line 6 mm

<b>View Angle:</b>	12 o'clock
<b>Backlight:</b>	Optional (Blue Backlight)
<b>Engineering Units:</b>	psi, bar, inHg, cmHg, mmHg, kPa, MPa, kg/cm <sup>2</sup> , ftH <sub>2</sub> O and customer defined unit
<b>Ranges:</b>	-1 to 1600 bar, gauge, vacuum and compound ranges available
<b>Resolution (by range):</b>	See chart for detail by range.
<b>Enclosure Material:</b>	Case & Back: Polycarbonate/ABS Window: Polycarbonate
<b>Enclosure Rating:</b>	IP67
<b>Protective Boot:</b>	Optional (Black or Orange)
<b>Serial No.:</b>	Yes
<b>Nominal Size:</b>	70 mm dia., 41 mm deep, 67 mm centerline to end of 1/4 NPT thread
<b>Wetted Mat.:</b>	St. steel 17-4 PH sensor and 316L socket, laser welded
<b>Connection:</b>	1/4 NPT and G 1/4 B lower standard, Options: 1/8 NPT, others consult factory, 6 o'clock position standard, 3, 9 and 12 o'clock position optional (factory set only)
<b>Battery:</b>	Two AA alkaline batteries
<b>Battery Life:</b>	2000 hours minimum
<b>Battery Life Indicator:</b>	4 levels
<b>Cycle Life:</b>	10 million cycles
<b>Vibration:</b>	MIL-STD-202G, Method 201A (amplitude 0,8 mm, 10-55 Hz, 3 axis)
<b>Shock:</b>	MIL-STD-202G, Method 213B, Test Condition K (30 g peak, saw tooth)
<b>Operating Temp:</b>	-20 °C to 60 °C, (-4 °F to 140 °F) ambient temperature, -20 °C to 80 °C (-4 °F 176 °F) process media temp.
<b>Storage Temp:</b>	Batteries installed: -20 °C to 60 °C, (-4 °F to 140 °F) Batteries removed: -20 °C to 80 °C, (-4 °F to 176 °F)
<b>Temp. Coef.:</b>	0,22 %/10 K (-30 °C to 70 °C) zero and span, reference temp. 21 °C
<b>Leak Integrity:</b>	10 <sup>-7</sup> std. cc/sec.
<b>Update Rate:</b>	1 Hz
<b>Keypad Functions:</b>	3 Key available with multi press functionality
<b>Hard Keys:</b>	on/off; Power Symbol and Enter zero; Zero, tare, and up arrow menu access, backlight, down arrow
<b>Agency Approvals:</b>	CE (heavy industrial), ASME B40.7, RoHs, UL 61010/ cUL (pending)

<b>Proof Pressure:</b>	-1 ... 100 bar	200%
	Vac ... 2.000 psi	200%
	160 ... 250 bar	150%
	3.000 ... 5.000 psi	150%
	400 ... 1600 bar	120%
	7.5000 ... 25.000 psi	120%

<b>Burst Pressure:</b>	-1 ... 100 bar	800%
	Vac ... 2.000 psi	800%
	160 ... 250 bar	500%
	3.000 ... 5.000 psi	500%
	400 ... 1600 bar	300%
	7.500 ... 25.000 psi	300%

### General dimensions in mm [inch]



### Order information

Type and size	Accuracy	Power supply type	Backlight	Protective boot	Pressure connection size	Pressure connection location	Range in bar [BR]	Range in psi [#]	Options
DG25	(3) 0,25 %	(1) Battery	(L) Backlight	(0) None	(M01) ¼ NPT male	(L) Lower	-1 / 0 <sup>1)</sup>	0&vac <sup>1)</sup>	(6B) Cleaned for Oxygen service
	(5) 0,5 %		(N) No backlight	(1) Black (2) Orange	(M02) ¼ NPT male (MG2) G ¼ B male (MGA) G ¼ A male DIN 3852 part 11 form E <sup>1)</sup> (F09) Aminco 9/16-18 UNF-2B <sup>2)</sup>		-1 / 1 <sup>1)</sup> -1 / 1,6 <sup>1)</sup> -1 / 4 -1 / 6 -1 / 16 0 / 1 <sup>1)</sup> 0 / 1,6 0 / 2,5 0 / 4 0 / 6 0 / 10 0 / 16 0 / 25 0 / 40 0 / 60 0 / 100 0 / 160 0 / 250 0 / 400 0 / 600 0 / 1000 0 / 1600	15&vac <sup>1)</sup> 30&vac <sup>1)</sup> 60&vac 100&vac 300&vac 0 / 15 <sup>1)</sup> 0 / 30 0 / 60 0 / 100 0 / 200 0 / 300 0 / 500 0 / 1000 0 / 1500 0 / 2000 0 / 3000 0 / 5000 0 / 10.000 0 / 15.000 0 / 20.000 0 / 25.000	
							0 / 1000 0 / 1500 0 / 2000 0 / 3000 0 / 5000 0 / 10.000 0 / 15.000 0 / 20.000 0 / 25.000		
							1) 0,5% only	1) 0,5% only	

### Order example

Type and size	Accuracy	Power supply type	Backlight	Protective boot	Electrical connection	Pressure connection size	Pressure connection location	Range	Engineering unit	Options
DG25	3	1	L	1	NA	MG2	L	16	BR	C4

### Ashcroft Instruments GmbH

Germany  
 Max-Planck-Str. 1, D-52499 Baesweiler  
 P.O. Box 11 20, D-52490 Baesweiler  
 Tel.: +49 (0) 2401 808-0, Fax: +49 (0) 2401 808-125

France  
 48, Chemin des Landes  
 F-69700 Montagny  
 Tel.: +33 (0) 9 65 32 71 31, Fax: +33 (0) 4 72 39 10 57

Website: [www.ashcroft.eu](http://www.ashcroft.eu)

### United Kingdom

Unit 17 & 18 William James House  
 Cowley Road, Cambridge CB4 0WX  
 Tel.: +44 (0) 12 23 39 55 00, Fax: +44 (0) 12 23 39 55 01

e-Mail: [sales@ashcroft.com](mailto:sales@ashcroft.com)

RANGE CODE	PSI		bar		In. Hg		cm Hg.		mm Hg.		kPa		mPa		kg/cm <sup>2</sup>		ft H <sub>2</sub> O	
	Vacuum																	
0I#&V*	-14,5	0	-1	0	-29,5	0	-75	0	-750	0	-100	0	-0,1	0	-1	0	-33,5	0
15#&V*	-14,5	15	-1	1	-29,5	31	-75	78	-750	776	-100	104	-0,1	0,1	-1	1	-33,5	34,62
30#&V*	-14,5	30	-1	2	-29,5	61	-75	155	-750	1553	-100	207	-0,1	0,2	-1	2	-33,5	69,23
60#&V	-14,5	60	-1	4	-29,5	122	-75	310	-750	3103	-100	414	-0,1	0,4	-1	4	-33,5	138,46
100#&V	-14,5	100	-1	7	-29,5	203	-75	517	-750	5172	-100	690	-0,1	0,7	-1	7	-33,5	230,8
300#&V	-14,5	300	-1	21	-29,5	611	-75	1552	-750	15515	-100	2068	-0,1	2,	-1	21	-33,5	692,3
15#*	0	15	0	1	0	31	0	77,57	0	776	0	103	0	0,1	0	1	0	34,62
30#	0	30	0	2	0	61	0	155,15	0	1552	0	207	0	0,2	0	2	0	69,23
60#	0	60	0	4	0	122	0	310,3	0	3103	0	414	0	0,4	0	4	0	138,46
100#	0	100	0	7	0	204	0	517,2	0	5172	0	690	0	0,7	0	7	0	230,77
200#	0	200	0	14	0	407	0	1034,3	0	10343	0	1379	0	1,4	0	14	0	461,5
300#	0	300	0	21	0	611	0	1551,5	0	15515	0	2068	0	2,1	0	21	0	692,3
500#	0	500	0	34	0	1018	0	2586	-	-	0	3447	0	3,4	0	35	0	1153,8
1000#	0	1000	0	69	0	2036	0	5172	-	-	0	6895	0	6,9	0	70	0	2307,7
1500#	0	1500	0	103	0	3054	0	7757	-	-	0	10342	0	10,3	0	105	0	3462
2000#	0	2000	0	138	0	4072	0	10343	-	-	0	13789	0	13,7	0	141	0	4615
3000#	0	3000	0	207	0	6108	0	15515	-	-	0	20684	0	20,6	0	211	0	6923
5000#	0	5000	0	345	0	10180	-	-	-	-	0	3447	0	34,5	0	352	0	11538
10000#	0	10000	0	690	0	20360	-	-	-	-	0	6895	0	69,0	0	703	0	23077
15000#	0	15000	0	1034	-	-	-	-	-	-	0	10342	0	103,4	0	1055	-	-
20000#	0	20000	0	1379	-	-	-	-	-	-	0	13789	0	137,9	0	1406	-	-
25000#	0	25000	0	1724	-	-	-	-	-	-	0	1724	0	172,4	0	1758	-	-

RANGE CODE	bar		PSI		In. Hg		cm Hg.		mm Hg.		kPa		mPa		kg/cm <sup>2</sup>		ft H <sub>2</sub> O	
	Vacuum																	
0BR&V	-1	0	-14,5	0	-29,53	0	-75	0	-750	0	-100	0	-0,1	0	-1	0	-33,5	0
1BR&V	-1	1	-14,5	15	-29,5	30	-75	75	-750	750	-100	100	-0,1	0,1	-1	1,	-33,5	34
1.6BR&V	-1	1,6	-14,5	23	-29,5	47	-75	120	-750	1200	-100	160	-0,1	0,16	-1	1,6	-33,5	54
4BR&V	-1	4	-14,5	58	-29,5	118	-75	300	-750	3000	-100	400	-0,1	0,4	-1	4	-33,5	134
6BR&V	-1	6	-14,5	87	-29,5	177	-75	450	-750	4500	-100	600	-0,1	0,6	-1	6	-33,5	201
16BR&V	-1	16	-14,5	232	-29,5	473	-75	1200	-750	12000	-100	1600	-0,1	1,6	-1	16	-33,5	536
1BR	0	1	0	15	0	30	0	75	0	750	0	100	0	0,1	0	1,	0	33,5
1.6BR	0	1,6	0	23	0	47	0	120	0	1200	0	160	0	0,16	0	1,6	0	54
2.5BR	0	2,5	0	36	0	74	0	188	0	1875	0	250	0	0,25	0	2,5	0	84
4BR	0	4	0	58	0	118	0	300	0	3000	0	400	0	0,4	0	4	0	134
6BR	0	6	0	87	0	177	0	450	0	4500	0	600	0	0,6	0	6	0	201
10BR	0	10	0	145	0	295	0	750	0	7500	0	1000	0	1	0	10	0	335
16BR	0	16	0	232	0	473	0	1200	0	12001	0	1600	0	1,6	0	16	0	536
25BR	0	25	0	363	0	738	0	1875	0	18752	0	2500	0	2,5	0	25	0	838
40BR	0	40	0	580	0	1181	0	3000	-	-	0	4000	0	4	0	41	0	1341
60BR	0	60	0	870	0	1772	0	4500	-	-	0	6000	0	6	0	61	0	2011
100BR	0	100	0	1450	0	2953	0	7500	-	-	0	10000	0	10	0	102	0	3352
160BR	0	160	0	2321	0	4725	0	12001	-	-	0	16000	0	16	0	163	0	5363
250BR	0	250	0	3626	0	7383	0	18752	-	-	0	2500	0	2,5	0	255	0	8380
400BR	0	400	0	5801	0	11812	-	-	-	-	0	4000	0	40	0	408	0	13408
600BR	0	600	0	8702	0	17718	-	-	-	-	0	6000	0	60	0	612	0	20112
1000BR	0	1000	0	14503	-	-	-	-	-	-	0	10000	0	100	0	1020	-	-
1600BR	0	1600	0	23205	-	-	-	-	-	-	0	16000	0	160	0	1632	-	-

\* 0.5% accuracy only.