

## Type 1130 – 2", 2½", 3½", 4", 4½", & 6" Differential Gauge



- *Piston actuator*
- *Stainless steel case*
- *Ranges from 5 psid-150 psid*
- *Static pressures up to 6000 psi<sup>(4)</sup>*
- *Aluminum<sup>(3)</sup>, brass or stainless steel bodies<sup>(1)</sup>*
- *Buna-N O-rings (others available)*
- *Superior magnets for smoother pointer motion*
- *Standard or explosion-proof reed switches available*
- *5-year warranty*

The Type 1130 uses a piston design where small migration of the process media is permissible.<sup>(1)</sup> It is recommended for high differential and high static pressures, up to 6000 psi. Body materials are available in Aluminum, Brass and Stainless Steel, with Buna, Viton or EPDM seals.<sup>(2)</sup>

#### NOTES:

- (1) Not for use with incompatible media.
- (2) Other wetted parts include stainless steel spring, Teflon piston and ceramic magnet.
- (3) Aluminum bodies not to be used with water or corrosive applications.
- (4) Static pressure over 3000 psi in SS only.

#### PRODUCT SPECIFICATIONS

<b>Model Number:</b>	1130
<b>Accuracy (Ascending):</b>	±2%
<b>Migration:</b>	Minor
<b>Ranges:</b>	0-5 psid to 150 psid
<b>Maximum Static Pressure:</b>	3000 psi (6000 psi for SS)
<b>Actuator:</b>	Piston
<b>Case Material:</b>	Stainless steel
<b>Dial Size:</b>	2" (20), 2½" (25), 3½" (35), 4" (40), 4½" (45), 6" (60)
<b>Maximum Process Temp.:</b>	175°F/80°C
<b>Body Materials:</b>	Aluminum (F), brass (A), stainless steel (S)
<b>O-Rings/Diaphragm:</b>	Buna-N
<b>Connection Size (Female):</b>	¼ NPT (25)
<b>Connection Location:</b>	In-Line (S), Lower (L), Back (B)
<b>Window:</b>	Glass

#### PRODUCT OPTIONS

<b>Switches<sup>(1)</sup>:</b>	Available
<b>¼ NPT Female Adapter:</b>	XGE Available
<b>Front Flange:</b>	XFF Available
<b>Viton O-Rings:</b>	XVD Available
<b>EPDM O-Rings:</b>	XEM Available
<b>Fill<sup>(3)</sup>:</b>	
Glycerin	L Standard
Silicone	XGV Available

#### Window

Plastic:	XPD Available
<b>Explosion Proof:</b>	XEK Available <sup>(2)</sup>

#### Pipe Mounting

<b>Bracket:</b>	XTM In-line (only)
-----------------	--------------------

(1) Applicable to switches:

- XV1 – 1 SPST with DIN plug
- XV2 – 1 SPST with terminal strip
- XV3 – 2 SPST with DIN plug
- XV4 – 2 SPST with terminal strip
- XV5 – 1 SPDT with DIN plug
- XV6 – 1 SPDT with terminal strip
- XV7 – 2 SPDT with DIN plug
- XV8 – 2 SPDT with terminal strip

Adjustable from 20-100% of range  
 Preset at 90% ascending  
 Terminal or DIN connected switches are not available with back connection

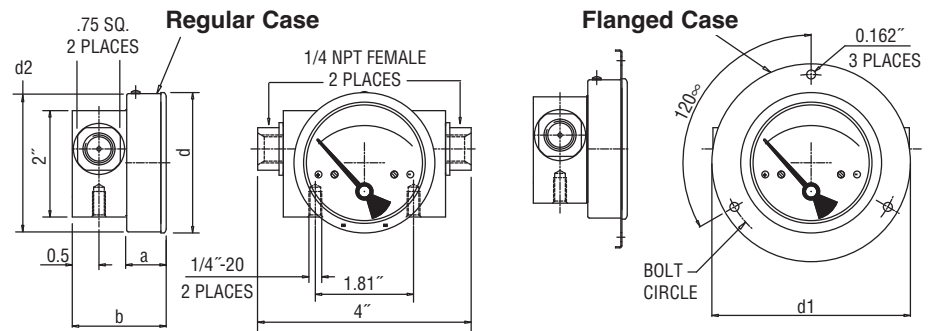
(2) Specify lower or back connection for gauge (not available in-line) and switch type V2, V4, V6, V8

(3) Liquid fill has an effect on accuracy that varies with range and temperature. Liquid filling may be required only in some very severe applications.

**HOW TO ORDER:**

Dial Size: 2", 2½", 3½", 4", 4½", & 6" _____	25	1130	FD	25S	XXX	30#
Case Type Number: 1130 _____						
Body Material _____						
Connection Size: ¼ NPTF (25) _____						
Connection Location: In-line (S), Lower (L), Back (B) _____						
Optional Features: see above _____						
Standard Pressure Range _____						

## Type 1130 – 2", 2½", 3½", 4", 4½", & 6" Differential Gauge



Type 1130 Dimension Drawing

Dial Size	a	b	d	d'	d <sup>2</sup>	Bolt Circle
2"	0.70"	1.70"	2.08"	3.11"	2.04"	2.72"
2.5"	0.75"	1.75"	2.59"	3.66"	2.55"	3.26"
3.5"	0.75"	1.75"	3.26"	4.29"	3.22"	3.89"
4"	0.75"	1.75"	4.10"	5.15"	4.01"	4.76"
4.5"	0.75"	1.75"	4.71"	5.74"	4.60"	5.35"
6"	0.75"	1.75"	6.07"	7.12"	6.00"	6.73"

### Type 1130 – Standard Ranges

psi		0-5	0-8	0-10	0-15	0-20	0-25	0-30	
kPa	0-25		0-50	0-75	0-100		0-160	0-200	0-250
kg/cm <sup>2</sup> -bar	0-0.25		0-0.5	0-0.75	0-1		0-1.6	0-2	0-2.5
psi	0-40	0-50	0-60		0-80		0-100		0-150
kPa	0-300		0-400	0-500		0-600	0-700	0-900	0-1000
kg/cm <sup>2</sup> -bar	0-3		0-4	0-5		0-6	0-7	0-9	0-10

### Ratings for Both Standard & Explosion Proof Switches:

#### SPST SWITCH

##### Specifications:

Contact Rating  
10 VA ac (rms) or dc (max)  
Switching Current  
0.5 Amp ac (rms) or dc (max)  
Switch Voltage  
100 Vac/Vdc (max)

#### SPDT SWITCH

##### Specifications:

Contact Rating  
3 VA ac (rms) or dc (max)  
Switching Current  
.3 Amp ac (rms) or dc (max)  
Switch Voltage  
30 Vac/Vdc (max)

### Explosion Proof Switches Information:

Switches and electrical connections are mounted in an explosion-proof enclosure with UL, CSA, Genelec and FM approval. The enclosure meets Class 1, Groups B, C, D, Class 2 Groups E, F, G, Class 3, NEMA 7 & 9 and IP 66. Two ¾" electrical conduit connections.