

## Data Sheet

# 1008S 63 mm & 100 mm Stainless Steel Pressure Gauge

### FEATURES

- PowerFlex™ movement provides superior resistance to shock, vibration and pulsation
- **PLUS!**™ Performance patented dampening technology provides liquid fill performance in a dry gauge
- All welded stainless steel construction
- Ventable fill plug
- MSL Helium leak tested to  $1 \times 10^{-6}$  scc/s
- Ammonia and refrigerant versions available

### TYPICAL USES

- Pumps and compressors
- Hydraulics and pneumatic
- Specialized OEM equipment
- Food and beverage
- Ammonia and refrigeration



1008S/SL  
63, 100 mm dial size



### SPECIFICATIONS

Accuracy:	Dry: $\pm 1.6\%$ of span Liquid: $\pm 2\%$ of span
Size:	63, 100 mm
Ranges:	Vacuum, compound to 15,000 psi
Process Connection Location:	Lower, Lower Back, Top, 3 o'clock, 9 o'clock
Process Connection Size:	$\frac{1}{8}$ NPT Male, $\frac{1}{4}$ NPT Male
Movement:	304 Stainless steel
Window Material:	Polycarbonate
Dial:	Black figures on white background, aluminum
Pointer:	Black, aluminum
Weather Protection:	IP65 (Plug closed), IP54 (Plug vented) NEMA 4X (Plug closed)
Dampening:	Liquid fill and <b>PLUS!</b> ™ Performance
Mounting:	U-clamp, Back Flange and Front Flange
Approvals:	CRN, RoHS, PED, CE/UKCA

### WETTED COMPONENTS

Bourdon Tube	Process Connection Material
316 SS	316 Stainless steel

### NON-WETTED COMPONENTS

Case	Ring
304 SS	304 Stainless steel crimped

### KEY BENEFITS

- Accessory kits for easy panel mounting
- True Zero™ reduces reading errors “zero box” instead of conventional dial pins

### MIN/MAX TEMPERATURE LIMITS

Version	Ambient	Process	Storage
Dry	-40 °F to 200 °F (-40 °C to 93 °C)	-40 °F to 250 °F (-40 °C to 121 °C)	-40 °F to 250 °F (-40 °C to 121 °C)
<b>PLUS!</b> ™	-40 °F to 150 °F (-40 °C to 66 °C)	-40 °F to 200 °F (-40 °C to 93 °C)	-40 °F to 150 °F (-40 °C to 66 °C)
Glycerin Fill	20 °F to 150 °F (-7 °C to 66 °C)	20 °F to 200 °F (-7 °C to 66 °C)	0 °F to 150 °F (-18 °C to 66 °C)
Silicone Fill	-40 °F to 150 °F (-40 °C to 66 °C)	-40 °F to 200 °F (-40 °C to 93 °C)	-40 °F to 150 °F (-40 °C to 66 °C)
Halocarbon® Fill	-40 °F to 150 °F (-40 °C to 66 °C)	-40 °F to 200 °F (-40 °C to 93 °C)	-40 °F to 150 °F (-40 °C to 66 °C)

# Data Sheet

## 1008S 63 mm & 100 mm Stainless Steel Pressure Gauge

ORDERING CODE	Example:	63	S	L	02	L	XC4	100#
<b>Dial Size/Model Code</b>								
631008 - 63 mm (2½") 304 Stainless steel case		63						
101008 - 100 mm (4") 304 Stainless steel case								
<b>System</b>								
S - 316 Stainless steel tube/316 stainless steel process connection			S					
<b>Case Fill</b>								
Blank - Dry liquid fillable								
L - Liquid filled case (glycerin standard)				L				
<b>Process Connection Size</b>								
01 - ⅛ NPT Male								
02 - ¼ NPT Male					02			
04 - ½ NPT Male								
RW - SAE 4 7/16" - 20 straight thread with washer and O-ring								
KJ - ¼" Straight JIS, BSP								
KA - ¼" Tapered JIS, BSP								
13 - G ¼" DIN								
JP - ¼" Tubing								
JQ - 6mm Tubing (N/A with throttle plug, N/A ranges above 6000 psi)								
JR - 3/8" Tubing (N/A with throttle plug, N/A on ranges above 6000 psi)								
<b>Process Connection Location</b>								
L - Lower						L		
B - Lower back								
D - Side (3 o'clock)								
E - Side (9 o'clock)								
T - Top								
<b>Options (If choosing an option(s) must include an "X")</b>								
LL - <b>PLUS!</b> ™ Performance								X__
NZ - <b>PLUS!</b> ™ Performance silicone free								
GV - Silicone case fill (add to glycerine filled case)								
GX - Halocarbon® case fill (add to glycerine filled case)								
TU - Throttle plug 0.013" orifice (STD. on all liquid filled and XLL gauges 30 psi to 1000 psi)								
TS - Throttle screw (STD. with liquid filled and XLL gauges 1500 psi and above)								
6B - Cleaned for oxygen service (for liquid filled Halocarbon® XGX required; N/A on ranges greater than 10,000 psi)								
NH - Stainless steel tag wired to case								
FF - Front flange								
UC - U-clamp								
FW - Back flange mounting								
C3 - Material certification, call factory for availability								
C4 - <a href="#">Traceable calibration certificate</a>							C4	
SM - All stainless steel movement								
YW - 316L Stainless steel case and ring								
<b>Ranges (See range table on page 3 for all standard ranges)</b>								
<b>Single Scale</b>								
100# - 100 psi								100#

# Data Sheet

## 1008S 63 mm & 100 mm Stainless Steel Pressure Gauge

SINGLE SCALE					NOTES
	psi	bar	kPa	Mpa	kg/cm2
Vacuum	30IMV	N1BR	N100KP	NO.1MP	N1KG
	-	N1/0.6BR	N100/60KP	NO.1/0.6MP	N1/0.6KG
	30IMV&15#	-	-	-	-
Compound	-	N1/1.5BR	N100/150KP	NO.1/15MP	N1/1.5KG
	30IMV&30#	-	-	-	-
	-	N1/3BR	N100/300KP	NO.1/3MP	N1/3KG
	30IMV&60#	-	-	-	-
	-	N1/5BR	N100/&500KP	NO.1/5MP	N1/5KG
	-	-	-	-	-
Positive Pressure	30IMV&100#	-	-	-	-
	-	N1/9BR	N100/900KP	NO.1/9MP	N1/9KG
	15#	1BR	100KP	0.1MP	1KG
	-	1.6BR	160KP	0.16MP	1.6KG
	30#	-	-	-	-
	-	2.5BR	250KP	0.25MP	2.5KG
	60#	4BR	400KP	0.4MP	4KG
	-	6BR	600KP	0.6MP	6KG
	100#	-	-	-	-
	-	10BR	1000KP	1MP	10KG
	160#	-	-	-	-
	200#	-	-	-	-
	-	16BR	1600KP	1.6MP	16KG
	300#	-	-	-	-
	-	25BR	2500KP	2.5MP	25KG
	400#	-	-	-	-
	600#	40BR	4000KP	4MP	40KG
	800#	-	-	-	-
	-	60BR	6000KP	6MP	60KG
	1000#	-	-	-	-
	1500#	100BR	10,000KP	10MP	100KG
	2000#	-	-	-	-
	-	160BR	16,000KP	16MP	160KG
	3000#	-	-	-	-
	-	250BR	25,000KP	25MP	250KG
	4000#	-	-	-	-
	5000#	-	-	-	-
6000#	400BR	40,000KP	40MP	400KG	
-	600BR	60,000KP	60MP	600KG	
8000#	-	-	-	-	
10,000#	-	-	-	-	
15,000#	1000BR	100,000KP	100MP	1,000KG	

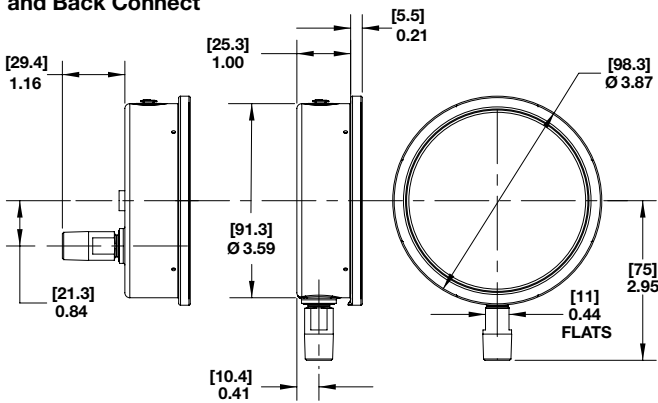
**Data Sheet**

**1008S 63 mm & 100 mm Stainless Steel Pressure Gauge**

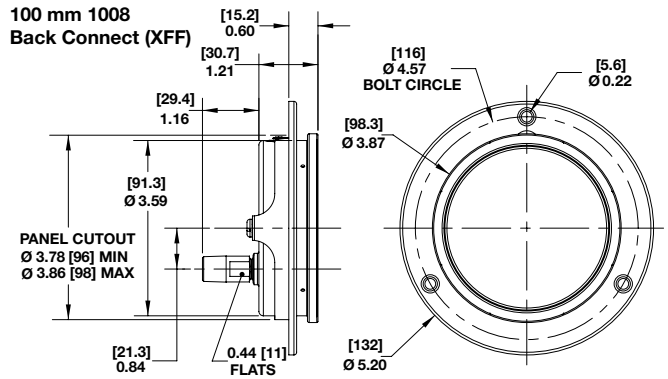
**DIMENSIONS** in [ ] are millimeters

For reference only, consult Ashcroft for specific dimensional drawings

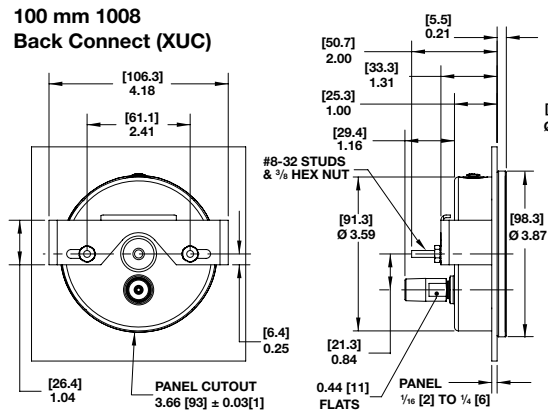
**100 mm 1008 Lower and Back Connect**



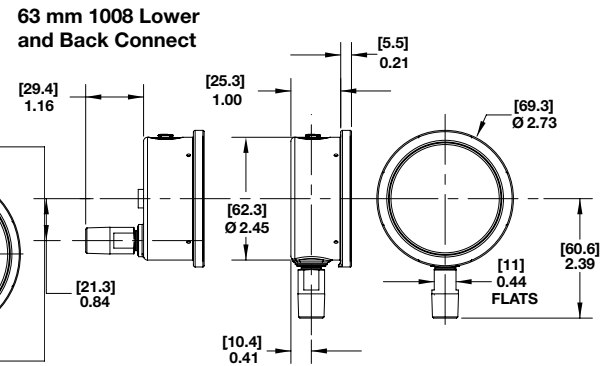
**100 mm 1008 Back Connect (XFF)**



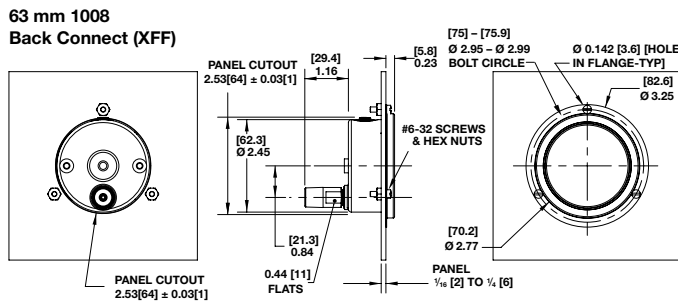
**100 mm 1008 Back Connect (XUC)**



**63 mm 1008 Lower and Back Connect**



**63 mm 1008 Back Connect (XFF)**



**63 mm 1008 Back Connect (XUC)**

