

# All stainless steel process gauge open or solid front Model T5500 and T6500

According EN 837-1  
Nominal size 100 mm or 160 mm  
Accuracy: Class 1 (EN)



## FEATURES

- Rugged stainless steel construction
- Socket and case welded
- Protection IP66/IP67 (NEMA 4X)
- Optional ATEX approved  
CE Ex II 2 GD c
- Usable to full scale
- Overload protection 130 %
- Dry, liquid filled or liquid less (PLUS! gauge)
- Measuring system stainless steel or Monel

## RANGES

-1 ... 0 bar up to 0 ... 1000 bar  
-30 in. Hg ... 0 psi up to 0 ... 15.000 psi

## APPLICATIONS

- Chemical and petrochemical industry
- Machine and apparatus construction
- Food and beverage industry
- Pulp and paper industry

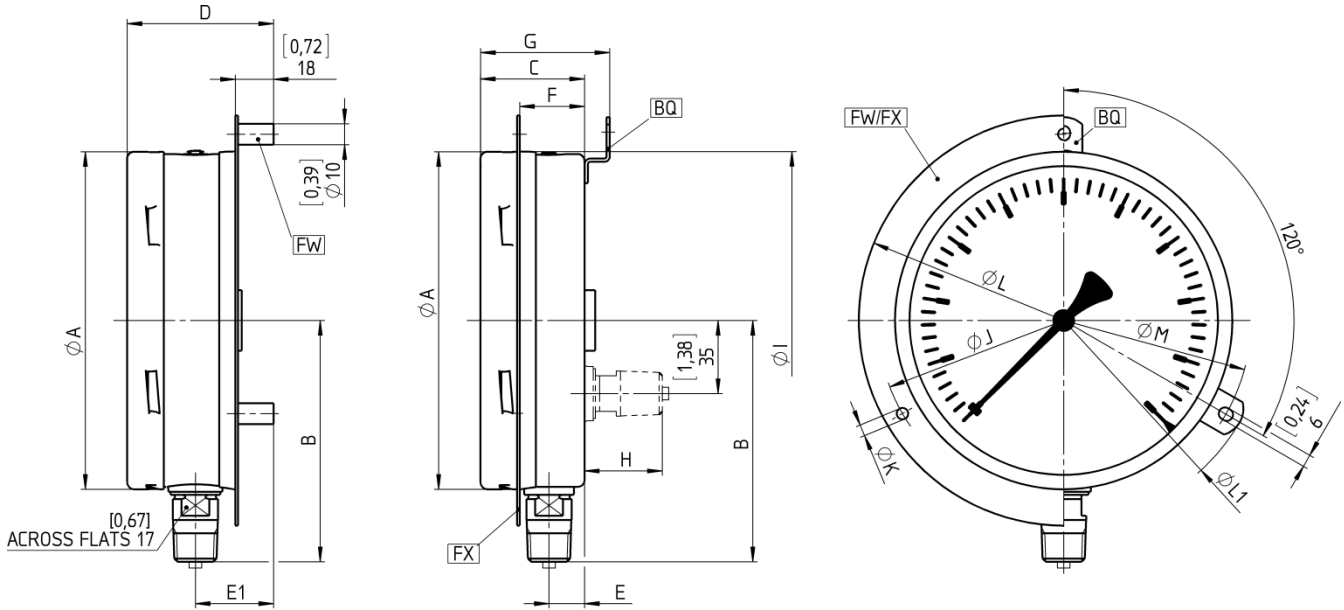
## SPECIFICATIONS

<b>Model Number:</b>	T5500, open front, rear blowout disk T6500, solid front, rear blowout disk
<b>Accuracy:</b>	Standard: Class 1, 1% full scale Optional: 0.5 % F.S.
<b>Dial Size:</b>	100mm or 160mm diameter
<b>Case Material:</b>	Standard: Stainless steel 304 (1.4301) Optional: Stainless steel 316L (1.4404)
<b>Bayonet Ring:</b>	Stainless steel 304 (1.4301) Stainless steel optional 316L (1.4404)
<b>Window:</b>	T5500: Standard: glass, Optional: laminated safety glass or acrylic  T6500: Standard: laminated safety glass Optional: acrylic

<b>Dial:</b>	Aluminum, white background, black figures and intervals.
<b>Pointer:</b>	Standard: aluminum black Optional: adjustable micro-meter, red set hand, maximum pointer
<b>Movement:</b>	Standard: Stainless steel 304/303(1.4301/1.4305) Optional: 316L (1.4404)
<b>Bourdon Tube and Socket:</b>	Standard: 316L stainless steel (1.4404) Optional: Monel
<b>Connection Size:</b>	¼ NPT male, ½ NPT male G ¼ B male, G ½ B male Others on request
<b>Connection Location:</b>	T5500: Lower or back T6500: Lower only
<b>ATEX:</b>	Conformity acc. to RL 2014/34/EU appendix X for mechanical equipment in potential hazardous areas Optional, Marking CE Ex II 2 GD c IIC Tx File No. 35134585 at notified body 0044, TÜV NORD CERT (only with safety glass or acrylic glass)
<b>Weather Protection:</b>	IP66 (NEMA 4X): Dry case IP67 & IP66 (NEMA 4X): Liquid filled or hermetically sealed case
<b>Temperature:</b>	Ambient: -40 ... 70 °C -25 ... 60 °C (ATEX) Medium: Max. 200°C dry Max. 100°C liquid filled Storage: -40 ... 70 °C -25 ... 60 °C (ATEX) Effect: Max 0.4 % / 10 K
<b>Weight in kg (100/160 mm):</b>	T5500: 0,9 -1,2 (dry) 1,2 - 2,0 (liquid filled) T6500: 0,9 -1,2 (dry) 1,2 - 2,0 (liquid filled)
<b>Mounting:</b>	Standard: stem Optional: flush or surface
<b>Filling:</b>	Glycerin, Silicone, Halocarbon Others on request
<b>OPTIONAL FEATURES</b>	
<b>PLUS!™ Performance:</b>	LL
<b>Shatter Proof Glass Window:</b>	SG
<b>Acrylic Window:</b>	PD
<b>Set Hand:</b>	SH
<b>Maximum Pointer:</b>	EP
<b>Electrical Contact:</b>	see data sheet T5500-KF
<b>Integrated pressure transducer:</b>	see data sheet T55E

**General dimensions in mm**

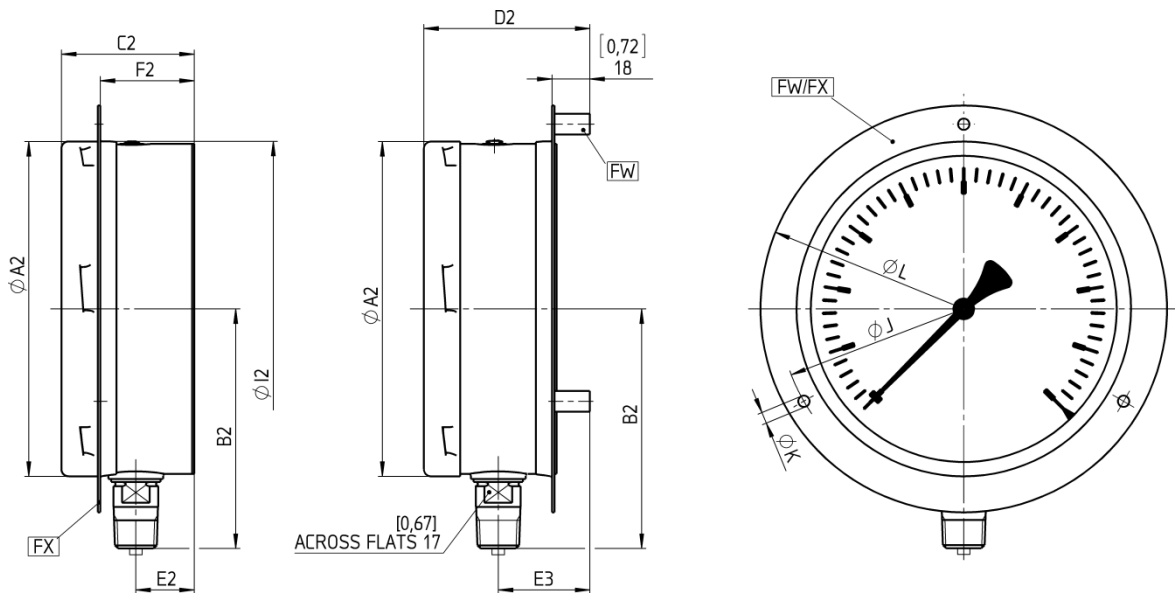
**T5500 open front with blow out compensation plug**



NG	A	B	C	D	E	E1	F	G	H	I	J	K	L	L1	M
100 mm	[3,97] 101	[3,36] 85	[2,01] 51	[2,72] 69	[0,73] 18,5	[1,44] 36,5	[1,26] 32	[2,48] 63	[1,38] 35	[4,00] 102	[4,57] 116	[0,19] 4,8	[5,20] 132	[5,28] 134	[4,69] 119
160 mm	[6,35] 161	[4,54] 115	[1,96] 50	[2,76] 70	[0,67] 17	[1,47] 37	[1,22] 31	[2,43] 62	[1,46] 37	[6,36] 162	[7,01] 178	[0,22] 5,5	[7,72] 196	[7,64] 194	[7,05] 179

Rev. M

**T6500 solid front with blow out back wall**



NG	A2	B2	C2	D2	E2	E3	F2	I2	J	K	L
100 mm	[3,97] 101	[3,36] 85	[2,38] 61	[2,91] 74	[1,02] 26	[1,55] 39	[1,63] 42	[4,00] 102	[4,57] 116	[0,19] 4,8	[5,20] 132
160 mm	[6,35] 161	[4,54] 115	[2,52] 64	[3,15] 80	[1,11] 28	[1,74] 44	[1,78] 45	[6,36] 162	[7,01] 178	[0,22] 5,5	[7,72] 196

Rev. M

**Ashcroft Instruments GmbH**

Germany  
Max-Planck-Str. 1,  
D-52499 Baesweiler  
P.O. Box 11 20, D-52490 Baesweiler  
Tel.: +49 (0) 2401 808-0

France  
„206“ ZA du Mandinet, 1/3 Rue des Cam-  
panules,  
F-77185 Lognes  
Tel.: +33 (0) 1 60 37 25 30

Website: [www.ashcroft.eu](http://www.ashcroft.eu)

Ashcroft Instruments Ltd.  
Unit 17 & 18 William James House  
Cowley Road,  
Cambridge CB4 0WX  
Tel.: +44 (0) 12 23 39 55 00

e-Mail: [sales@ashcroft.com](mailto:sales@ashcroft.com)

Ashcroft ISTANBUL  
Gayrettepe Mah. Yildiz Posta Cad.  
Yildiz Residence No:24 K:1 D:4  
34349 Besiktas –Istanbul  
Tel.: +90 (0)212 3270847

**Order information**

Size	Type	System material	Execution	Process connection	Connection orientation	Range	Engineering unit	Filling/Case material	Options
(100) 100 mm	T5500	(S) 316L (1.4404)	(D) Dry	(04) ½ NPT male	(L) Lower	-1/ 0 <sup>1)</sup> -1/ 1,5	(BR) bar	(=) Standard no filling	(NH) Tagging wired
(160) 160 mm	T6500	(P) Monel	(L) Liquid filled	(02) ¼ NPT male	(B) Back <sup>1)</sup>	-1/ 3 -1/ 5 -1/ 9 -1/ 15 -1/ 24		(GV) Silicone	(CS) Dual scale (Outer scale is dominant)
				(09) 9/16-18 UNF-2B Aminco		0/ 0,6 <sup>2)</sup> 0/ 1 <sup>1)</sup>		(GV3) Silicone 3 cst	(DA) Dial Marking
				(13) G ¼ B male		0/ 1,6 0/ 2,5 0/ 4		(GR) Glycerin	(TU) Throttle plug stainless steel
				(14) G 3/8 B male		0/ 6 0/ 10 0/ 16		(GX) Halocar- bon <sup>1)</sup>	(TR) Throttle plug stainless steel
				(15) G ½ B male		0/ 25 0/ 40 0/ 60		(LJ) Field fillable (only for execution D)	(TB) Throttle plug stainless steel
				(16) M20x1,5 male		0/ 100 0/ 160 0/ 250		(YW) Case ma- terial 316L (1.4404)	(TC) Throttle plug stainless steel
				(KQ) R½ male tapered DIN 2999		0/ 400 0/ 600 0/1000			(TD) Throttle plug stainless steel
				(KN) ½" male straight (JIS, BSP)					(TE) Throttle plug stainless steel
				(KP) 3/8" male straight (JIS, BSP)					(TF) Throttle plug stainless steel
									(TG) Throttle plug stainless steel
									(TH) Throttle plug stainless steel
									(TI) Throttle plug stainless steel
									(TJ) Throttle plug stainless steel
									(TK) Throttle plug stainless steel
									(TL) Throttle plug stainless steel
									(TM) Throttle plug stainless steel
									(TN) Throttle plug stainless steel
									(TO) Throttle plug stainless steel
									(TP) Throttle plug stainless steel
									(TQ) Throttle plug stainless steel
									(TR) Throttle plug stainless steel
									(TS) Throttle plug stainless steel
									(TT) Throttle plug stainless steel
									(TU) Throttle plug stainless steel
									(TV) Throttle plug stainless steel
									(TW) Throttle plug stainless steel
									(TX) Throttle plug stainless steel
									(TY) Throttle plug stainless steel
									(TZ) Throttle plug stainless steel
									(01) Throttle plug stainless steel
									(02) Throttle plug stainless steel
									(03) Throttle plug stainless steel
									(04) Throttle plug stainless steel
									(05) Throttle plug stainless steel
									(06) Throttle plug stainless steel
									(07) Throttle plug stainless steel
									(08) Throttle plug stainless steel
									(09) Throttle plug stainless steel
									(10) Throttle plug stainless steel
									(11) Throttle plug stainless steel
									(12) Throttle plug stainless steel
									(13) Throttle plug stainless steel
									(14) Throttle plug stainless steel
									(15) Throttle plug stainless steel
									(16) Throttle plug stainless steel
									(17) Throttle plug stainless steel
									(18) Throttle plug stainless steel
									(19) Throttle plug stainless steel
									(20) Throttle plug stainless steel
									(21) Throttle plug stainless steel
									(22) Throttle plug stainless steel
									(23) Throttle plug stainless steel
									(24) Throttle plug stainless steel
									(25) Throttle plug stainless steel
									(26) Throttle plug stainless steel
									(27) Throttle plug stainless steel
									(28) Throttle plug stainless steel
									(29) Throttle plug stainless steel
									(30) Throttle plug stainless steel
									(31) Throttle plug stainless steel
									(32) Throttle plug stainless steel
									(33) Throttle plug stainless steel
									(34) Throttle plug stainless steel
									(35) Throttle plug stainless steel
									(36) Throttle plug stainless steel
									(37) Throttle plug stainless steel
									(38) Throttle plug stainless steel
									(39) Throttle plug stainless steel
									(40) Throttle plug stainless steel
									(41) Throttle plug stainless steel
									(42) Throttle plug stainless steel
									(43) Throttle plug stainless steel
									(44) Throttle plug stainless steel
									(45) Throttle plug stainless steel
									(46) Throttle plug stainless steel
									(47) Throttle plug stainless steel
									(48) Throttle plug stainless steel
									(49) Throttle plug stainless steel
									(50) Throttle plug stainless steel
									(51) Throttle plug stainless steel
									(52) Throttle plug stainless steel
									(53) Throttle plug stainless steel
									(54) Throttle plug stainless steel
									(55) Throttle plug stainless steel
									(56) Throttle plug stainless steel
									(57) Throttle plug stainless steel
									(58) Throttle plug stainless steel
									(59) Throttle plug stainless steel
									(60) Throttle plug stainless steel
									(61) Throttle plug stainless steel
									(62) Throttle plug stainless steel
									(63) Throttle plug stainless steel
									(64) Throttle plug stainless steel
									(65) Throttle plug stainless steel
									(66) Throttle plug stainless steel
									(67) Throttle plug stainless steel
									(68) Throttle plug stainless steel
									(69) Throttle plug stainless steel
									(70) Throttle plug stainless steel
									(71) Throttle plug stainless steel
									(72) Throttle plug stainless steel
									(73) Throttle plug stainless steel
									(74) Throttle plug stainless steel
									(75) Throttle plug stainless steel
									(76) Throttle plug stainless steel
									(77) Throttle plug stainless steel
									(78) Throttle plug stainless steel
									(79) Throttle plug stainless steel
									(80) Throttle plug stainless steel
									(81) Throttle plug stainless steel
									(82) Throttle plug stainless steel
									(83) Throttle plug stainless steel
									(84) Throttle plug stainless steel
									(85) Throttle plug stainless steel
									(86) Throttle plug stainless steel
									(87) Throttle plug stainless steel
									(88) Throttle plug stainless steel
									(89) Throttle plug stainless steel
									(90) Throttle plug stainless steel
									(91) Throttle plug stainless steel
									(92) Throttle plug stainless steel
									(93) Throttle plug stainless steel
									(94) Throttle plug stainless steel
									(95) Throttle plug stainless steel
									(96) Throttle plug stainless steel
									(97) Throttle plug stainless steel
									(98) Throttle plug stainless steel
									(99) Throttle plug stainless steel
									(00) Throttle plug stainless steel

**Order example**

Size	Type	System material	Execution	Process connection	Connection Orientation	Range	Engineering unit	Filling/Case material	Options
100	T5500	S	D	15	L	0/16	BR	YW	NH

**Ashcroft Instruments GmbH**

Germany  
 Max-Planck-Str. 1,  
 D-52499 Baesweiler  
 P.O. Box 11 20, D-52490 Baesweiler  
 Tel.: +49 (0) 2401 808-0

France  
 „206“ ZA du Mandinet, 1/3 Rue des Cam-  
 panules,  
 F-77185 Lognes  
 Tel.: +33 (0) 1 60 37 25 30

Website: www.ashcroft.eu  
**Ashcroft Instruments Ltd.**  
 Unit 17 & 18 William James House  
 Cowley Road,  
 Cambridge CB4 0WX  
 Tel.: +44 (0) 12 23 39 55 00

e-Mail: sales@ashcroft.com  
**Ashcroft ISTANBUL**  
 Gayrettepe Mah. Yildiz Posta Cad.  
 Yildiz Residence No:24 K:1 D:4  
 34349 Besiktas –Istanbul  
 Tel.: +90 (0)212 3270847

Option listing starts with "X", followed  
 by options separated by "="  
 Example: X=NH=SG=FW