



- Extremely compact universal light fitting with 4 power classes
- Can be used as a ceiling light fitting, pendant light fitting or floodlight
- Three light distribution curves available: Ultra-wide-beam, wide-beam and medium-wide-beam
- Glare-free thanks to opaque light fitting covering
- Quick, easy installation thanks to Ex e connection chamber
- Universally suitable for use in particularly cold environments as cold as -55 °C
- Suitable for particularly high ambient temperatures up to +70 °C

E2

WebCode 6050C



The 6050/6 universal spotlight is equipment used for lighting areas, work equipment and objects. It can be used indoors and outdoors. The clear lens is available in a matted version to limit the glare. Using an internal reflector, the universal spotlight can be adapted as a narrow beam, wide beam or a medium-wide beam to suit the lighting task.

	IECEX / ATEX					
Zone	0	1	2	20	21	22
Installation in		•	•		•	•

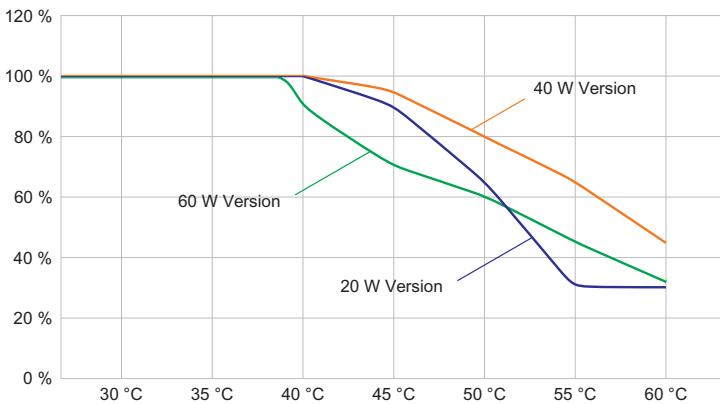
Selection Table									
Lamp wattage		20 W							
Version	Interfaces	Wire guard	Reflector	Protective glass version	Luminous flux	Luminaire efficacy	Product Type	Art. No.	Weight kg
Pendant light fitting	-	No	No	clear	2000 lm	122 lm/W	6050/604-202-6B2-000850-000	265418	6.750
		Yes	No	clear	2000 lm	122 lm/W	6050/604-202-6B2-100850-000	265419	7.040
		No	No	frosted	1900 lm	114 lm/W	6050/604-202-6B2-200850-000	267555	6.750
		Yes	No	frosted	1900 lm	114 lm/W	6050/604-202-6B2-300850-000	267469	7.040
Lamp wattage		40 W							
Version	Interfaces	Wire guard	Reflector	Protective glass version	Luminous flux	Luminaire efficacy	Product Type	Art. No.	Weight kg
Pendant light fitting	-	No	No	frosted	4700 lm	117 lm/W	6050/604-400-6B2-200850-000	267466	6.750
		Yes	No	frosted	4700 lm	117 lm/W	6050/604-400-6B2-300850-000	267470	7.040
Pendant light fitting with wall bracket	DALI	No	No	clear	5100 lm	127 lm/W	6050/604-401-7B2-000850-001	272489	8.230
		No	Yes	clear	5100 lm	127 lm/W	6050/604-401-7B2-008850-001	272491	8.230
		Yes	No	clear	5100 lm	127 lm/W	6050/604-401-7B2-100850-001	272490	8.520
		Yes	Yes	clear	5100 lm	127 lm/W	6050/604-401-7B2-108850-001	272492	8.520
with Pipe clamp	-	No	No	clear	4700 lm	117 lm/W	6050/604-400-6B2-000850-004	282972	7.030
		No	Yes	clear	5100 lm	127 lm/W	6050/604-400-6B2-008850-004	282973	7.030

Selection Table									
Lamp wattage			40 W						
Version	Interfaces	Wire guard	Reflector	Protective glass version	Luminous flux	Luminaire efficacy	Product Type	Art. No.	Weight kg
Yes	No	clear	4700 lm	117 lm/W	6050/604-400-6B2-100850-004	282974		7.050	
Yes	Yes	clear	5100 lm	127 lm/W	6050/604-400-6B2-108850-004	282975		7.050	
Lamp wattage			60 W						
Version	Interfaces	Wire guard	Reflector	Protective glass version	Luminous flux	Luminaire efficacy	Product Type	Art. No.	Weight kg
Pendant light fitting	–	No	No	frosted	6800 lm	113 lm/W	6050/604-600-6B2-200850-000	269440	6.860
Pendant light fitting with wall bracket	DALI	No	No	clear	7400 lm	122 lm/W	6050/604-601-7B2-000850-001	272480	8.230
		No	Yes	clear	7400 lm	122 lm/W	6050/604-601-7B2-008850-001	272482	8.230
		Yes	No	clear	7400 lm	122 lm/W	6050/604-601-7B2-100850-001	272481	8.520
		Yes	Yes	clear	7400 lm	122 lm/W	6050/604-601-7B2-108850-001	272483	8.520
with Pipe clamp –	–	No	No	clear	7400 lm	122 lm/W	6050/604-600-6B2-000850-004	282976	7.030
		No	Yes	clear	7400 lm	122 lm/W	6050/604-600-6B2-008850-004	283121	7.030
		Yes	No	clear	7400 lm	122 lm/W	6050/604-600-6B2-100850-004	283122	7.050
		Yes	Yes	clear	7400 lm	122 lm/W	6050/604-600-6B2-108850-004	283123	7.050
Lamp wattage			80 W						
Version	Interfaces	Wire guard	Reflector	Protective glass version	Luminous flux	Luminaire efficacy	Product Type	Art. No.	Weight kg
Pendant light fitting with ring eyes	DALI	No	No	clear	8800 lm	113 lm/W	6050/604-801-7B2-000850-002	270017	6.860
		No	Yes	clear	8800 lm	113 lm/W	6050/604-801-7B2-008850-002	270018	6.860
Pendant light fitting with wall bracket	DALI	No	No	clear	8800 lm	113 lm/W	6050/604-801-7B2-000850-001	270015	8.230
		No	Yes	clear	8800 lm	113 lm/W	6050/604-801-7B2-008850-001	270016	8.230
		Yes	No	clear	8800 lm	113 lm/W	6050/604-801-7B2-100850-001	270019	8.520
		Yes	Yes	clear	8800 lm	113 lm/W	6050/604-801-7B2-108850-001	270020	8.520
		No	No	frosted	8100 lm	104 lm/W	6050/604-801-7B2-200850-001	276008	8.230
		No	Yes	clear	8800 lm	113 lm/W	6050/604-801-7B2-008850-004	283124	7.030
with Pipe clamp	DALI	No	No	clear	8800 lm	113 lm/W	6050/604-801-7B2-000850-004	283124	7.030
		No	Yes	clear	8800 lm	113 lm/W	6050/604-801-7B2-008850-004	283125	7.030
		Yes	No	clear	8800 lm	113 lm/W	6050/604-801-7B2-100850-004	283126	7.050
		Yes	Yes	clear	8800 lm	113 lm/W	6050/604-801-7B2-108850-004	283127	7.050

Technical Data				
Variant	20 W	40 W	60 W	80 W
Explosion Protection				
Ambient temperature °C	-40 ... +60 °C	-40 ... +70 °C	-40 ... +70 °C	-40 ... +70 °C
IECEx gas explosion protection	Ex db eb op is IIC T4 Gb	Ex db eb op is IIC T4 Gb	Ex db eb op is IIC T4 Gb	Ex db eb op is IIC T4 Gb

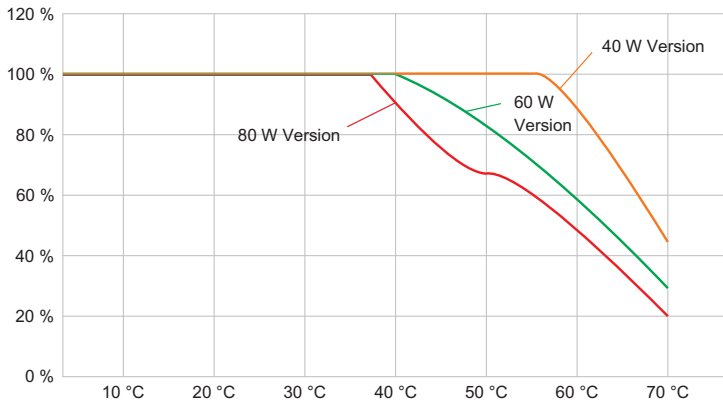
Technical Data				
Variant	20 W	40 W	60 W	80 W
Explosion Protection				
IECEX dust explosion protection	Ex tb op is IIIC T110 °C Db	Ex tb op is IIIC T110 °C Db	Ex tb op is IIIC T110 °C Db	Ex tb op is IIIC T110 °C Db
ATEX gas explosion protection	Ⓜ II 2 G Ex db eb op is IIC T4 Gb	Ⓜ II 2 G Ex db eb op is IIC T4 Gb	Ⓜ II 2 G Ex db eb op is IIC T4 Gb	Ⓜ II 2 G Ex db eb op is IIC T4 Gb
ATEX dust explosion protection	Ⓜ II 2 D Ex tb op is IIIC T110 °C Db	Ⓜ II 2 D Ex tb op is IIIC T110 °C Db	Ⓜ II 2 D Ex tb op is IIIC T110 °C Db	Ⓜ II 2 D Ex tb op is IIIC T110 °C Db
Certificates	ATEX (BVIS), China (CQST), EAC (Sertium), IECEX (BVIS), India (PESO)	ATEX (BVIS), China (CQST), EAC (Sertium), IECEX (BVIS), India (PESO)	ATEX (BVIS), China (CQST), EAC (Sertium), IECEX (BVIS), India (PESO)	ATEX (BVIS), China (CQST), EAC (Sertium), IECEX (BVIS), India (PESO)
Notes	For temperature classes and surface temperatures, see selection table			
Electrical Data				
Rated operational voltage AC	220 – 240 V	220 – 240 V	220 – 240 V	220 – 240 V
Nominal current	0.07 – 0.07 A	0.2 – 0.2 A	0.28 – 0.28 A	0.36 – 0.36 A
Frequency range	50 – 60 Hz	50 – 60 Hz	50 – 60 Hz	50 – 60 Hz
Lighting Data				
Lamp	LED	LED	LED	LED
Light colour	Neutral white	Neutral white	Neutral white	Neutral white
Colour rendering	≥ 80	≥ 80	≥ 80	≥ 80
Colour temperature	5000 K	5000 K	5000 K	5000 K
Mechanical Data				
Degree of protection (IP)	IP66 / IP68 (10 m)	IP66 / IP68 (10 m)	IP66 / IP68 (10 m)	IP66 / IP68 (10 m)
Enclosure material	Aluminium, Seawater-resistant	Aluminium, Seawater-resistant	Aluminium, Seawater-resistant	Aluminium, Seawater-resistant
Sealing material	Silicone	Silicone	Silicone	Silicone
Connection terminals solid max.	6 mm ²	6 mm ²	6 mm ²	6 mm ²
Connection terminals finely-stranded max.	4 mm ²	4 mm ²	4 mm ²	4 mm ²
Type of connection cable	Finely stranded Solid finely-stranded with clip	Finely stranded Solid finely-stranded with clip	Finely stranded Solid finely-stranded with clip	Solid Finely stranded finely-stranded with clip
Design size	1	1	1	1
Components				
Cable entries	1 x M25 x 1.5	1 x M25 x 1.5	1 x M25 x 1.5	1 x M25 x 1.5
Stopping plug	1 x M25 x 1.5	1 x M25 x 1.5	1 x M25 x 1.5	1 x M25 x 1.5
Wire guard	No	No	No	No

Technical Drawings – Subject to Alterations



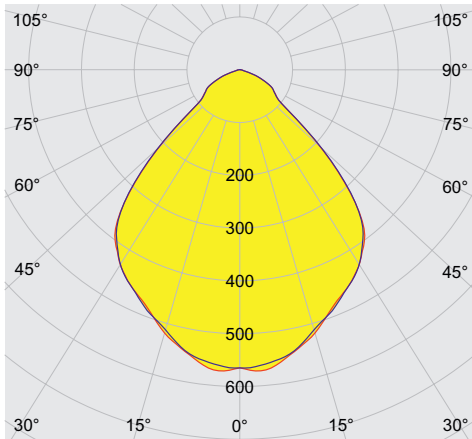
Luminous flux decrease at ambient temperature - variants with DALI

E2



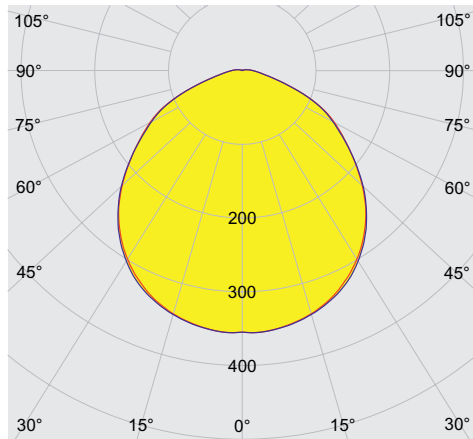
Luminous flux decrease at ambient temperature - variants without DALI

Light Distribution Curves – Subject to Alterations



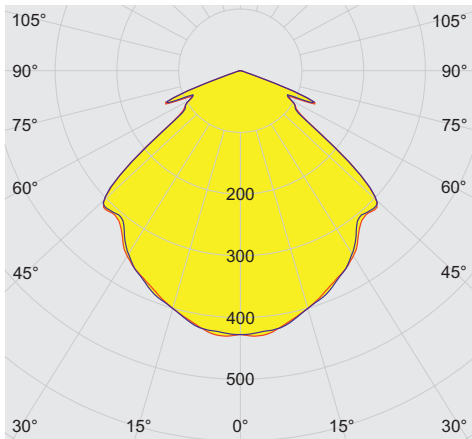
cd/klm $\eta = 100\%$
— C0 - C180 — C90 - C270

With internal reflector, protection glass clear





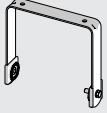
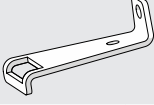
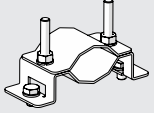

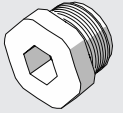
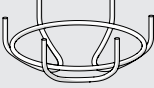
cd/klm $\eta = 100\%$
— C0 - C180 — C90 - C270

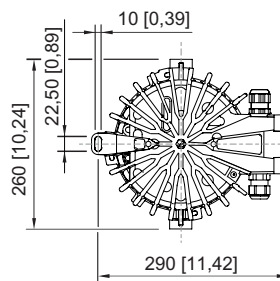
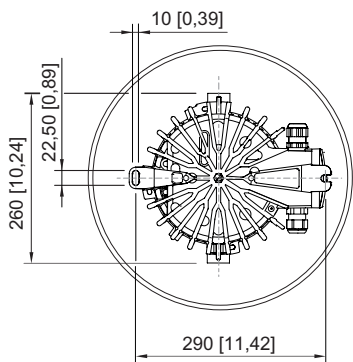
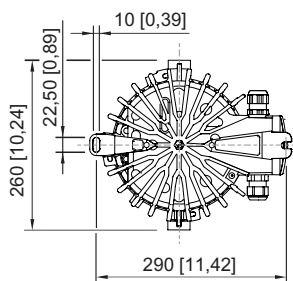
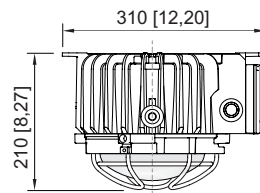
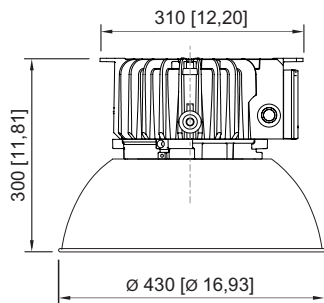
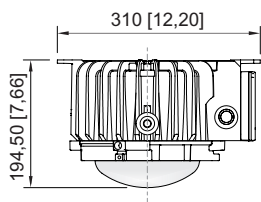
Without internal reflector, protection glass diffuse



cd/klm $\eta = 100\%$
— C0 - C180 — C90 - C270

Without internal reflector, protection glass clear

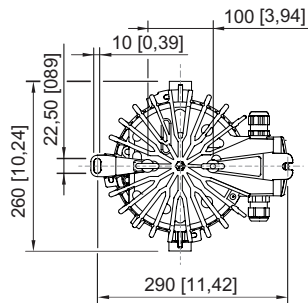
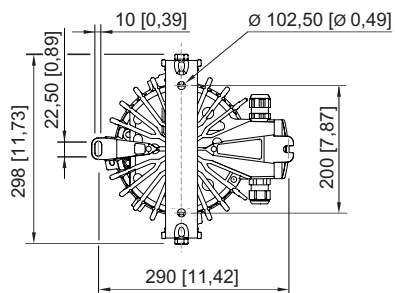
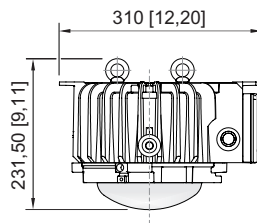
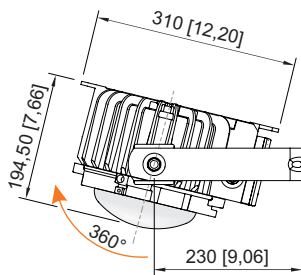
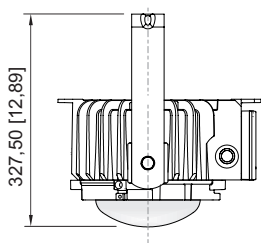
Accessories			
Figure	Description	Art. No.	Weight kg
Antiglare device / reflector			
	Complete with mounting parts Material: aluminium for 6050/11 and 6050/6	118565	0.150
Cable gland			
	8161/7-M25-1707 7 ... 17 mm ² , 50 pieces (delivery lot')	239157 ▲	0.019
Mounting bracket			
	Complete; stainless steel (for additional mounting) for 6050/6	265877	1.480
	The stainless steel mounting fixture is fastened to the enclosure of the pendant light fitting series 6050/6 by means of two stainless steel screws M8.	269716	0.350
Pipe clamp			
	for pipe R 1 1/4" ... 2"	268967	0.450
Ring bolt			
	M8, für 6050/6, direct mounting; 1 pair	265874	0.400
Stopping plug			
	8290/3-M25, 100 pieces	143544 ▲	0.700
	8290/3-M25, 1 piece	143524 ▲	0.007
Wire guard			
	Complete with mounting parts Material: steel wire, stainless steel for 6050/6	221774	0.450



Standard

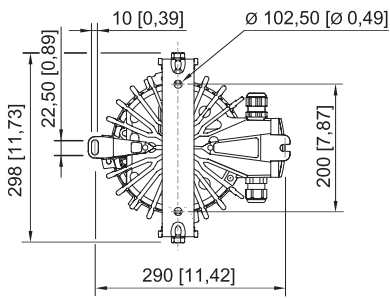
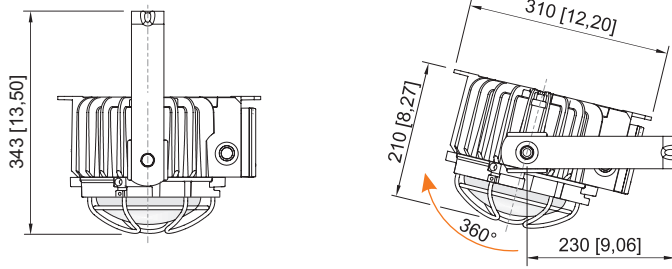
With antiglare device

With wire guard

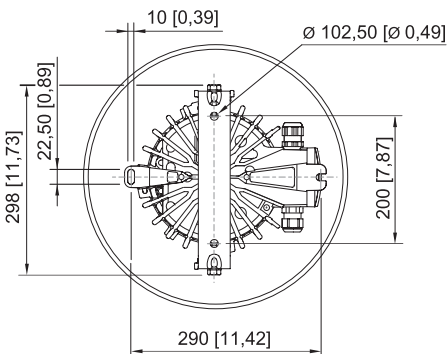
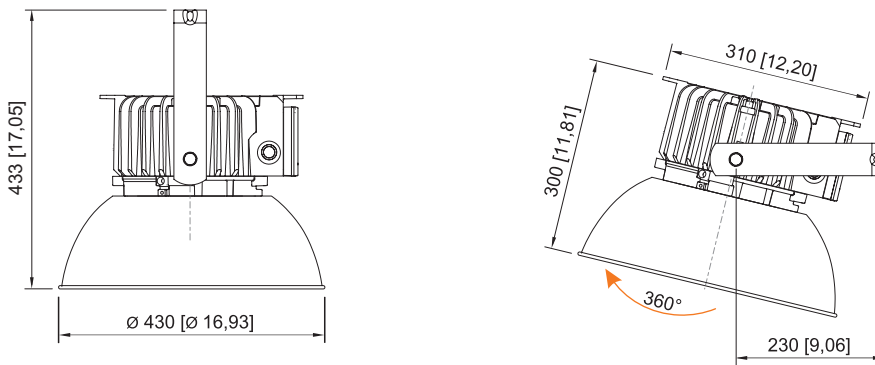


With mounting bracket

With ring eyes

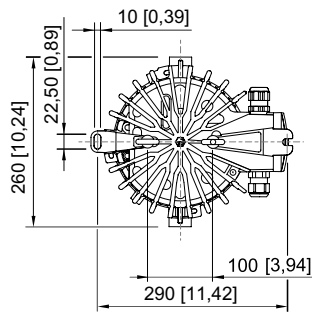
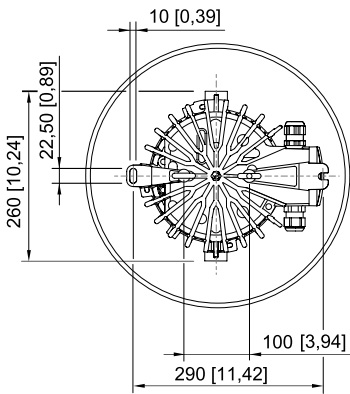
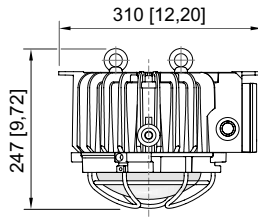
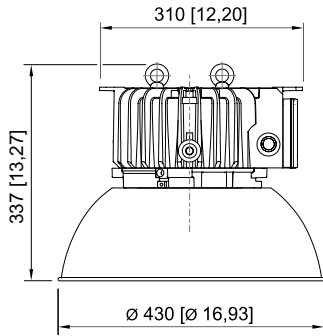


With wire guard and mounting bracket



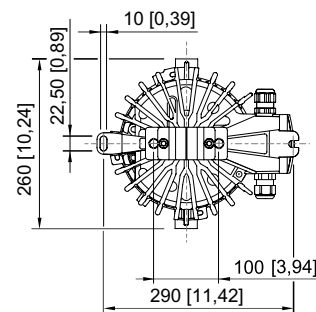
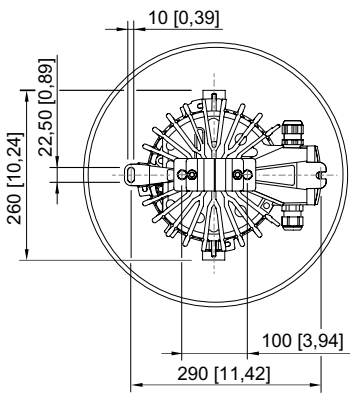
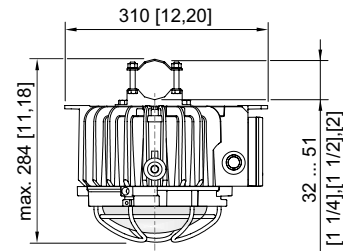
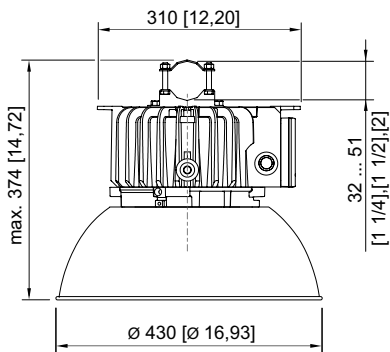
With antiglare device and mounting bracket

E2



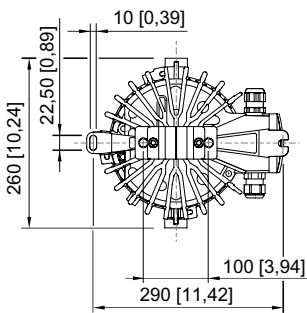
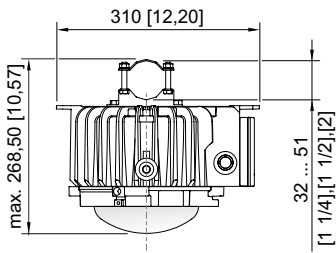
With antiglare device and ring eyes

With wire guard and ring eyes



With antiglare device and pipe clamp

With wire guard and pipe clamp



With pipe clamp

Inrush current

Power	DALI function	Start-up current
20 W	without	I _{peak} = 25 A, Delta t = 150 μs
40 W / 60 W	without	I _{peak} = 55 A, Delta t = 230 μs
40 W / 60 W / 80 W	with	I _{peak} = 57 A, Delta t = 210 μs

Maximum number of luminaires per miniature circuit breaker at 230 V:

Power	Type	10 A	16 A	20 A	25 A
20 W	B	23	36	45	57
	C	39	61	76	96
40 W / 60 W	B	7	11	13	17
	C	11	18	22	28
DALI 40 W / 60 W / 80 W	B	7	12	14	21
	C	11	19	23	32