



- Extreme temperature range of $-45 \dots +55 \text{ }^\circ\text{C}$
- Reliable load disconnect switch with clearly visible, lockable handle which also displays the switching position
- Integrated auxiliary contact for control and signalling purposes
- With AC-3 motor switching capacity according to IEC/EN 60947-3

E3

WebCode **8581A**



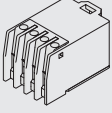
R. STAHL Series 8581/31 CES sockets for Zone 1/21 in a 4- and 5-pole version have full AC-3 switching capacity up to 125 A. The high degree of protection IP66 guarantees the highest level of protection against the penetration of dust and water in any application position. Self-cleaning lamellar contacts provide optimum contact and the plugs can be inserted and removed in the zero position quickly and easily. The load disconnect switch, with mechanical locking device and a handle that can be locked in the 0 or I position, is an additional safety feature.

	ATEX / IECEx					
Zone	0	1	2	20	21	22
Installation in		•	•		•	•

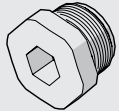
Selection Table								
Detailed number of poles		4 P (3 P + PE)						
Rated operational current		125 A						
Figure	Coding (clock hour position)	Rated operational voltage AC	Colour code	Frequency range	Product Type	Art. No.	PS	Weight kg
	5	600 – 690 V	Black	50 – 60 Hz	8581/31-405-S011	220120 ▲	10	21.400
	6	380 – 415 V	Red	50 – 60 Hz	8581/31-406-S011	220117	10	21.400
		380 – 415 V	Red	50 – 60 Hz	8581/31-406	206787 ▲	10	21.400
	7	480 – 500 V	Black	50 – 60 Hz	8581/31-407-S011	220119	10	21.400
		480 – 500 V	Black	50 – 60 Hz	8581/31-407	206788 ▲	10	21.400
	9	200 – 250 V	Blue	50 – 60 Hz	8581/31-409-S011	220118	10	21.400
200 – 250 V		Blue	50 – 60 Hz	8581/31-409	206789 ▲	10	21.400	
Detailed number of poles		5 P (3 P + N + PE)						
Rated operational current		125 A						
Figure	Coding (clock hour position)	Rated operational voltage AC	Colour code	Frequency range	Product Type	Art. No.	PS	Weight kg
	6	200 – 240 V / 346 – 415 V	Red	50 – 60 Hz	8581/31-506	206784 ▲	10	21.400
	7	277 – 288 V / 480 – 500 V	Black	50 – 60 Hz	8581/31-507	206786	10	21.400

Variants with a temperature range of $-45 \dots +55 \text{ }^\circ\text{C}$ are available on request.

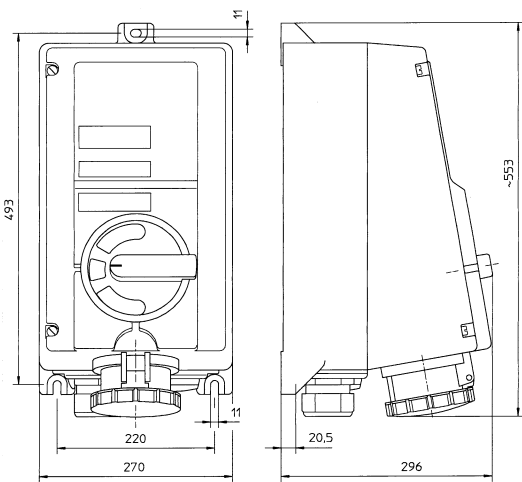
Technical Data		
Variant	8581/31-...	8581/31-...-S011
Explosion Protection		
Ambient temperature °C	-30 ... +55 °C	-30 ... +45 °C
Gas explosion protection IECEx	Ex db eb IIC T5 Gb	Ex db eb IIC T5 Gb
Gas explosion protection ATEX	⊕ II 2 G Ex db eb IIC T5 Gb	⊕ II 2 G Ex db eb IIC T5 Gb
Gas explosion protection EAC	1 Ex d e IIC T6/T5 Gb 1 Ex d e [ib] IIC T6/T5 Gb	1 Ex d e IIC T6/T5 Gb 1 Ex d e [ib] IIC T6/T5 Gb
Dust explosion protection IECEx	Ex tb IIIC T95 °C Db	Ex tb IIIC T95 °C Db
Dust explosion protection ATEX	⊕ II 2 D Ex tb IIIC T95 °C Db	⊕ II 2 D Ex tb IIIC T95 °C Db
Dust explosion protection EAC	Ex tb IIIC T65 °C...T85 °C Db	Ex tb IIIC T65 °C...T85 °C Db
Ambient temperature °C 2	-30 ... +40 °C	-30 ... +40 °C
Gas explosion protection IECEx 2	Ex db eb IIC T6 Gb	Ex db eb IIC T6 Gb
Gas explosion protection ATEX 2	⊕ II 2 G Ex db eb IIC T6 Gb	⊕ II 2 G Ex db eb IIC T6 Gb
Dust explosion protection IECEx 2	Ex tb IIIC T80 °C Db	Ex tb IIIC T80 °C Db
Dust Explosion Protection ATEX 2	⊕ II 2 D Ex tb IIIC T80 °C Db	⊕ II 2 D Ex tb IIIC T80 °C Db
Certificates	ATEX (PTB), Brazil (ULB), EAC (LPE), IECEx (PTB), Korea (KGS)	ATEX (PTB), Brazil (ULB), EAC (LPE), IECEx (PTB), Korea (KGS)
Electrical Data		
Auxiliary contacts available	Yes	Yes
Ambient Conditions		
Notes	T6: 125 A -30 ... +40 °C T6: 110 A -30 ... +45 °C T5: 125 A -30 ... +45 °C T5: 110 A -30 ... +55 °C	
Mechanical Data		
Degree of protection (IP)	IP66	IP66
Degree of protection note	according to IEC/EN 60529	according to IEC/EN 60529
Enclosure material	Polyester, Glass fibre reinforced	Polyester, Glass fibre reinforced
Silicone-free	No	No
Connection terminals min.	35 mm ²	35 mm ²
Connection terminals finely-stranded max.	2 x 150 mm ²	2 x 150 mm ²
Connection terminals stranded max.	2 x 150 mm ²	2 x 150 mm ²
Components		
Plate with threaded holes		With 2 x M63-M50
Screw connections	1 x M63	Can be ordered as accessories
Cable diameter	28 – 48 mm	
Material of screw connections	Polyamide, black	
Stopping plug	1 x M25	1 x M50
Stopping plug material	Polyamide, black	Polyamide, black
Notes	Plate with threaded holes: made of brass, for metal cable glands	

Accessories and Spare Parts			
Figure	Description	Art. No.	Weight kg
	2 NC contacts (8080/1-3) 250 V AC/DC max. 6 A 1.5 ... 2.5 mm ² solid / finely stranded The switching function of the auxiliary contact depends on the installation slot used. Left and right: synchronising	168356	0.026

Accessories and Spare Parts

Figure	Description	Art. No.	Weight kg
Auxiliary contact			
	1 NC contact + 1 NO contact (8080/1-1) 250 V AC/DC max. 6 A 1.5 ... 2.5 mm ² solid / finely stranded The switching function of the auxiliary contact depends on the installation slot used. Left: delayed (ON), leading (OFF) Right: synchronising	0.026	
	2 NO contacts (8080/1-4) 250 V AC/DC max. 6 A 1.5 ... 2.5 mm ² solid / finely stranded The switching function of the auxiliary contact depends on the installation slot used. Left and right: synchronising	0.026	
Stopping plug			
	8290/3-M25, 1 piece	143524	0.007

Dimensional Drawings (All Dimensions in mm [inches]) – Subject to Alterations



Wall-mounting socket