



- Optional: Pluggable, easily retrofittable Ex e or Ex i auxiliary contacts for control and signalling purposes
- Motor switching capacity AC-3 as per IEC/EN 60947-3
- Variants for use in the USA/Canada available on request
- Wide temperature range for use
- High mechanical impact and shock resistance
- Perfect protection against the ingress of liquids and dust
- 3D data available to download from the website

E3

WebCode **8571A**



R. STAHL Series 8571/11 SolConeX sockets for Zone 1/21 in a 3-, 4- and 5-pole version have full AC-3 switching capacity up to 32 A. The high degree of protection IP66 guarantees the highest level of protection against the penetration of dust and/or water in any application position. Self-cleaning lamellar contacts provide optimum contact and the plugs can be inserted and removed in the zero position quickly and easily. The load disconnect switch, with mechanical locking device and a handle that can be locked in the 0 or I position, is an additional safety feature.

| | IECEX / ATEX | | | | | |
|-----------------|--------------|---|---|----|----|----|
| Zone | 0 | 1 | 2 | 20 | 21 | 22 |
| Installation in | | • | • | | • | • |

| Selection Table | | | | | | | | |
|--|--------------------------|------------------------------|------------------------------|-------------|-----------------|------------------|----------|-----------|
| Product Description | | Wall socket 32 A | | | | | | |
| Figure | Detailed number of poles | Coding (clock hour position) | Rated operational voltage AC | Colour code | Frequency range | Product Type | Art. No. | Weight kg |
| | 3 P + N + PE | 3 | 220/380 V AC | Red | 50 Hz | 8571/11-503 | 217678 | 2.200 |
| | | 4 | 57/100 ... 75/130 V AC | Yellow | 50 / 60 Hz | 8571/11-504 | 217679 | 2.200 |
| | | 9 | 120/208 ... 144/250 V AC | Blue | 50 / 60 Hz | 8571/11-509 | 150870 | 2.200 |
| | | 11 | 250/440 ... 265/460 V AC | Red | 60 Hz | 8571/11-511 | 150882 | 2.200 |
| | 3 P + PE | 5 | 600 ... 690 V AC | Black | 50 / 60 Hz | 8571/11-405-S012 | 220134 | 2.200 |
| | | 6 | 380 ... 415 V AC | Red | 50 / 60 Hz | 8571/11-406-S012 | 214068 | 2.200 |
| | | 7 | 480 ... 500 V AC | Black | 50 / 60 Hz | 8571/11-407-S012 | 220133 | 2.200 |
| | | 9 | 200 ... 250 V AC | Blue | 50 / 60 Hz | 8571/11-409-S012 | 220132 | 2.200 |
| | | 10 | > 50 V AC | Green | 100 ... 300 Hz | 8571/11-410 | 150906 | 2.200 |
| Product Description Product variant | | Wall socket 32 A Standard | | | | | | |
| Figure | Detailed number of poles | Coding (clock hour position) | Rated operational voltage AC | Colour code | Frequency range | Product Type | Art. No. | Weight kg |
| | 3 P + N + PE | 5 | 347/600 ... 400/690 V AC | Black | 50 / 60 Hz | 8571/11-505 | 150876 | 2.200 |
| | | 6 | 200/346 ... 240/415 V AC | Red | 50 / 60 Hz | 8571/11-506 | 150854 ▲ | 2.200 |
| | | 7 | 277/480 ... 288/500 V AC | Black | 50 / 60 Hz | 8571/11-507 | 150863 | 2.200 |

Selection Table

| Product Description | | Wall socket 32 A Standard | | | | | | |
|---------------------|--------------------------|--|------------------------------|-------------|-----------------|------------------|----------|-----------|
| Figure | Detailed number of poles | Coding (clock hour position) | Rated operational voltage AC | Colour code | Frequency range | Product Type | Art. No. | Weight kg |
| | 3 P + PE | 5 | 600 ... 690 V AC | Black | 50 / 60 Hz | 8571/11-405 | 150902 | 2.200 |
| | | 6 | 380 ... 415 V AC | Red | 50 / 60 Hz | 8571/11-406 | 150890 ▲ | 2.200 |
| | | 7 | 480 ... 500 V AC | Black | 50 / 60 Hz | 8571/11-407 | 150894 | 2.200 |
| | | 9 | 200 ... 250 V AC | Blue | 50 / 60 Hz | 8571/11-409 | 150898 | 2.200 |
| | | 11 | 440 ... 460 V AC | Red | 60 Hz | 8571/11-411 | 150910 | 2.200 |
| Product Description | | Wall socket 32 A Variants with auxiliary contact 1 (1 NO) | | | | | | |
| Figure | Detailed number of poles | Coding (clock hour position) | Rated operational voltage AC | Colour code | Frequency range | Product Type | Art. No. | Weight kg |
| | 3 P + PE | 6 | 380 ... 415 V AC | Red | 50 / 60 Hz | 8571/11-406-S001 | 220135 | 2.200 |
| | | 7 | 480 ... 500 V AC | Black | 50 / 60 Hz | 8571/11-407-S001 | 166610 | 2.200 |
| Product Description | | Wall socket 32 A Variants with metal earth plate for double metal insert and stopping plug | | | | | | |
| Figure | Detailed number of poles | Coding (clock hour position) | Rated operational voltage AC | Colour code | Frequency range | Product Type | Art. No. | Weight kg |
| | 3 P + N + PE | 6 | 200/346 ... 240/415 V AC | Red | 50 / 60 Hz | 8571/11-506-S012 | 214069 | 2.200 |

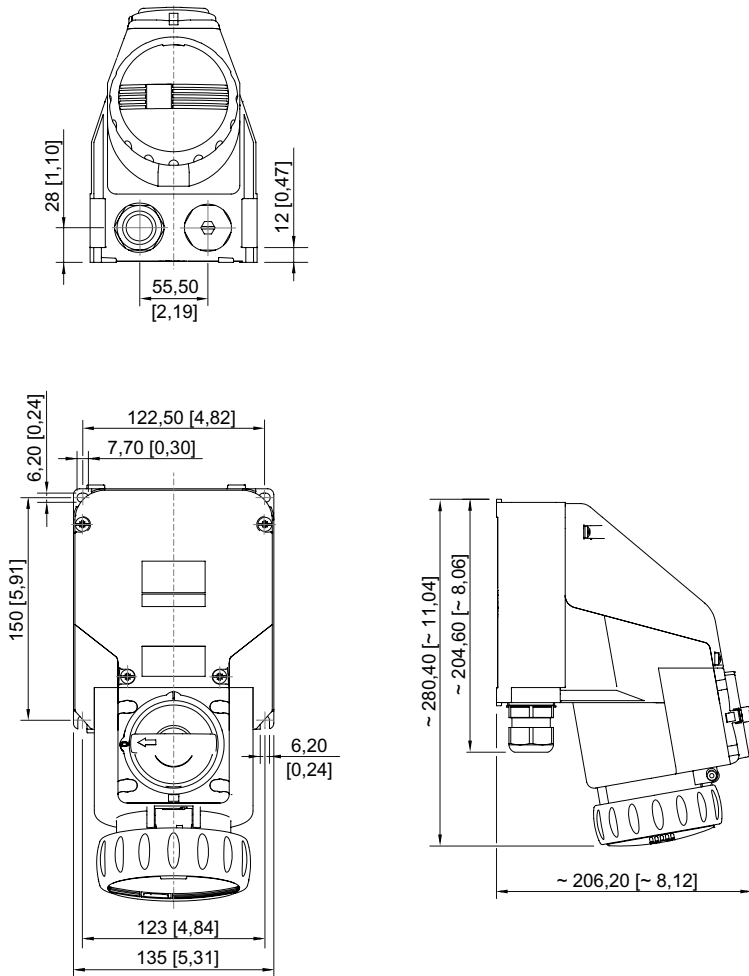
Variants with a temperature range from -50 to +55 °C available on request; silicone as sealing material

Technical Data

| Variant | 8571/11-... | 8571/11-...-S001 | 8571/11-...-S012 |
|--------------------------------------|--|--|--|
| Explosion Protection | | | |
| IECEx gas explosion protection | Ex db eb IIC T6 ... T5 Gb | Ex db eb IIC T6 ... T5 Gb | Ex db eb IIC T6 ... T5 Gb |
| IECEx dust explosion protection | Ex tb IIIC T60 °C ... T75 °C Db | Ex tb IIIC T60 °C ... T75 °C Db | Ex tb IIIC T60 °C ... T75 °C Db |
| ATEX gas explosion protection | Ⓜ II 2 G Ex db eb IIC T6 ... T5 Gb | Ⓜ II 2 G Ex db eb IIC T6 ... T5 Gb | Ⓜ II 2 G Ex db eb IIC T6 ... T5 Gb |
| ATEX dust explosion protection | Ⓜ II 2 D Ex tb IIIC T60 °C ... T75 °C Db | Ⓜ II 2 D Ex tb IIIC T60 °C ... T75 °C Db | Ⓜ II 2 D Ex tb IIIC T60 °C ... T75 °C Db |
| Certificates | ATEX (PTB), Brazil (ULB), EAC (ENDCE), IECEx (PTB), India (PESO), Korea (KGS), Taiwan (ITRI) | ATEX (PTB), Brazil (ULB), EAC (ENDCE), IECEx (PTB), India (PESO), Korea (KGS), Taiwan (ITRI) | ATEX (PTB), Brazil (ULB), EAC (ENDCE), IECEx (PTB), India (PESO), Korea (KGS), Taiwan (ITRI) |
| Notes | CCC certificate available from 2021 onward | CCC certificate available from 2021 onward | CCC certificate available from 2021 onward |
| Electrical Data | | | |
| Rated operational current | max. 32 A | max. 32 A | max. 32 A |
| Switching capacity main contacts | AC-3: 690 V, 32 A 7.5 kW: 220 / 230 / 240 V 15 kW: 380 / 400 / 415 V 30 kW: 600 / 690 V | AC-3: 690 V, 32 A 7.5 kW: 220 / 230 / 240 V 15 kW: 380 / 400 / 415 V 30 kW: 600 / 690 V | AC-3: 690 V, 32 A 7.5 kW: 220 / 230 / 240 V 15 kW: 380 / 400 / 415 V 30 kW: 600 / 690 V |
| Notes | The current must be reduced to 25 A for frequencies > 100 Hz | | |
| Device Specific Data | | | |
| Back-up fuse with thermal protection | 63 A gG | 63 A gG | 63 A gG |
| Back-up fuse w/o thermal protection | 35 A gG | 35 A gG | 35 A gG |
| Ambient Conditions | | | |
| Ambient temperature | -30 °C ... +40 °C (T6) -30 °C ... +55 °C (T5) | -30 °C ... +40 °C (T6) -30 °C ... +55 °C (T5) | -30 °C ... +40 °C (T6) -30 °C ... +55 °C (T5) |

| Technical Data | | | |
|---|---|--|--|
| Variant | 8571/11-... | 8571/11-...-S001 | 8571/11-...-S012 |
| Ambient Conditions | | | |
| Notes | Variants with a temperature range from -50 to +55 °C available on request; silicone as sealing material For further information, see the operating instructions. | | |
| Mechanical Data | | | |
| Degree of protection IP (IEC 60529) | IP66 | IP66 | IP66 |
| Enclosure material | Polyamide, Glass fibre reinforced | Polyamide, Glass fibre reinforced | Polyamide, Glass fibre reinforced |
| Silicone-free | Yes | Yes | Yes |
| Solid connection terminals | 1 x 2.5 mm ² ... 2 x 10 mm ² | 1 x 2.5 mm ² ... 2 x 10 mm ² | 1 x 2.5 mm ² ... 2 x 10 mm ² |
| Finely stranded connection terminals | 1 x 2.5 mm ² ... 2 x 6 mm ² | 1 x 2.5 mm ² ... 2 x 6 mm ² | 1 x 2.5 mm ² ... 2 x 6 mm ² |
| Impact strength (IEC 60079) | 7 J | 7 J | 7 J |
| Impact strength (IEC 62262) | IK10 | IK10 | IK10 |
| Lockable in | in 0- and I-position | in 0- and I-position | in 0- and I-position |
| Components | | | |
| Cable entry note | Entry 1: Lower left Entry 2: Lower right | Entry 1: Lower left Entry 2: Lower right | Entry 1: Lower left Entry 2: Lower right |
| Entry 1 | 8161/7-M32-2109 | 8161/7-M32-2109 | please see accessories |
| Entry 1 type | Polyamide cable gland | Polyamide cable gland | |
| Entry 1 | M32 x 1,5 | M32 x 1,5 | M32 x 1,5 |
| Entry 1 clamping range | 9 ... 21 mm | 9 ... 21 mm | |
| Metal entry possible 1 | No | No | Yes |
| Entry 2 | 8290/3-M32 | 8161/7-M25-1707 with plug | 8290/3-M32 |
| Entry 2 type | Polyamide stopping plug | Polyamide cable gland | Polyamide stopping plug |
| Entry 2 | M32 x 1,5 | M25 x 1,5 | M32 x 1,5 |
| Entry 2 clamping range | | 7 – 17 mm | |
| Metal entry possible 2 | No | No | Yes |
| Notes | Metal insert: Contains a brass plate with threaded holes Cable gland position: Bottom (standard); optionally also possible on the top or lateral | | |
| You can find more technical data online at r-stahl.com | | | |

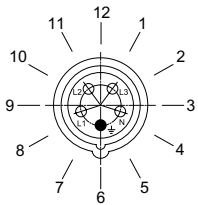
| Accessories | | | |
|---|---|----------|-----------|
| Figure | Description | Art. No. | Weight kg |
| Auxiliary contact | | | |
|  | 1 NC max. 500 V AC, max. 110 V DC max. 6 A 2 x 0.5 ... 2.5 mm ² solid / finely stranded | 150680 | 0.125 |
| | 1 NC, gold contact max. 500 V AC, max. 110 V DC max. 6 A 2 x 0.5 ... 2.5 mm ² solid / finely stranded | 150684 | 0.125 |
| | 1 NO max. 500 V AC, max. 110 V DC max. 6 A 2 x 0.5 ... 2.5 mm ² solid / finely stranded | 150682 | 0.125 |
| | 1 NO, gold contact max. 500 V AC, max. 110 V DC max. 6 A 2 x 0.5 ... 2.5 mm ² solid / finely stranded | 150686 | 0.125 |



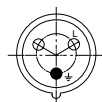
Wall-mounting socket

Arrangement of the Earth Contact Sleeves

Example:
Clock hour position,
Front view of socket

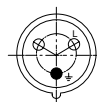


Example:
Clock hour position



230 V = 6 h

Marking of connections
Front view of socket



2 P + PE



3 P + PE



3 P + N + PE