



- Compact dimensions
- Wide temperature range for use
- High mechanical impact and shock resistance
- Perfect protection against the ingress of liquids and dust
- 3D data available to download from the website

E3

WebCode **8573B**



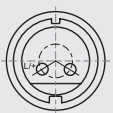
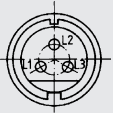
The sockets of the new R. STAHL Series 8573/13 are for 2- or 3-pole applications up to 16 A. The compact sockets for extra-low voltage up to 50 V are made from robust and chemical-resistant plastics. Self-cleaning lamellar contacts provide optimum contact. The integrated rotary switch mechanism and integrated locking device reliably prevent disconnection under loads.

The new compact socket from Series 8573/13 replaces Series 8575 sockets, is 100% compatible with this series and can be used with Series 8575 plugs.

	IECEX / ATEX					
Zone	0	1	2	20	21	22
Installation in		•	•		•	•

Selection Table								
Product Description		Small socket						
Rated operational current		10 A / 12 A						
Figure	Detailed number of poles	Coding (clock hour position)	Rated operational voltage AC	Colour code	Frequency range	Product Type	Art. No.	Weight kg
	2 P	2	20 ... 25 & 40 ... 50 V AC	Green	300 Hz	8573/13-202	243158	0.300
		3	20 ... 25 & 40 ... 50 V AC	Green	400 Hz	8573/13-203	243159	0.300
		4	20 ... 25 & 40 ... 50 V AC	Green	100 ... 200 Hz	8573/13-204	243160	0.300
		11	20 ... 25 & 40 ... 50 V AC	Green	> 400 ... 500 Hz	8573/13-211	243171	0.300
	3 P	2	20 ... 25 & 40 ... 50 V AC	Green	300 Hz	8573/13-302	241384	0.300
		3	20 ... 25 & 40 ... 50 V AC	Green	400 Hz	8573/13-303	243152	0.300
		4	20 ... 25 & 40 ... 50 V AC	Green	100 ... 200 Hz	8573/13-304	243153	0.300
		11	20 ... 25 & 40 ... 50 V AC	Green	> 400 ... 500 Hz	8573/13-311	243154	0.300

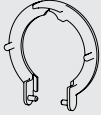
Selection Table

Product Description		Small socket 10 A / 16 A						
Rated operational current								
Figure	Detailed number of poles	Coding (clock hour position)	Rated operational voltage AC	Colour code	Frequency range	Product Type	Art. No.	Weight kg
	2 P	0	20 ... 25 V AC	Violet	50 / 60 Hz	8573/13-200	243157 ▲	0.300
		10	20 ... 25 V DC	Violet	–	8573/13-210	243173	0.300
		12	40 ... 50 V AC	Light grey	50 / 60 Hz	8573/13-212	243172	0.300
	3 P	0	20 ... 25 V AC	Violet	50 / 60 Hz	8573/13-300	241380 ▲	0.300
		12	40 ... 50 V AC	Light grey	50 / 60 Hz	8573/13-312	243155	0.300

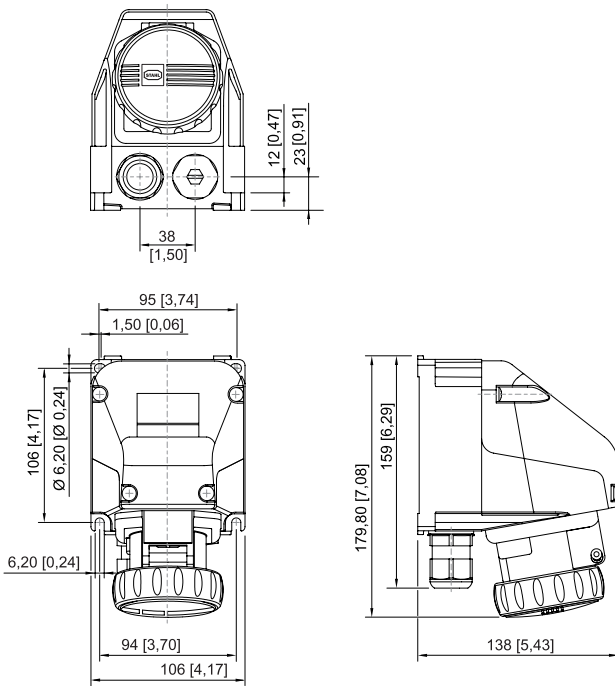
Technical Data

Variant	Small socket
Explosion Protection	
IECEX gas explosion protection	Ex db eb IIC T6 Gb
IECEX dust explosion protection	Ex tb IIIC T70 °C Db
ATEX gas explosion protection	⊕ II 2 G Ex db eb IIC T6 Gb
ATEX dust explosion protection	⊕ II 2 D Ex tb IIIC T70 °C Db
Certificates	ATEX (PTB), EAC (CCVE), IECEX (PTB)
Notes	CCC certificate available from 2021 onward
Explosion protection note	Product label may vary. Series devices have certification according to ATEX and IECEX.
Electrical Data	
Rated operational current	max. 16 A
Notes	The current must be reduced to 12 A for frequencies > 100 Hz
Ambient Conditions	
Ambient temperature	-50 °C ... +40 °C (16 A) -50 °C ... +60 °C (10 A)
Notes	For further information, see the operating instructions.
Mechanical Data	
Degree of protection (IP)	IP66
Degree of protection note	according to IEC/EN 60529
Enclosure material	Polyamide, Glass fibre reinforced
Silicone-free	No
Silicone-free note	Optional: Silicone-free variant available on request (ambient temperature -40 °C to +60 °C)
Solid connection terminals	1 x 0.75 mm ² ... 2 x 4 mm ²
Finely stranded connection terminals	1 x 0.75 mm ² ... 2 x 4 mm ²
Components	
Cable entry note	Entry 1: Lower left Entry 2: Lower right
Entry 1	8161/7-M25-1707
Entry 1	M25
Entry 1 clamping range	7 ... 17 mm
Metal entry possible 1	No
Entry 2	8290/3-M25
Entry 2	M25
Metal entry possible 2	No
Notes	Cable gland position: Bottom (standard); optionally also possible on the top or lateral

Accessories

Figure	Description	Art. No.	Weight kg
	retrofitable dust protection for 2-/3-pole sockets	253118	0.006

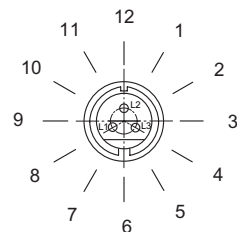
Dimensional Drawings (All Dimensions in mm [inches]) – Subject to Alterations



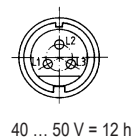
Wall-mounting socket, compact, extra-low voltage

Arrangement of the Earth Contact Sleeves

Example:
Clock hour position,
Front view of socket



Example:
Clock hour position



Marking of connections
Front view of socket

