



- Coupler sockets, 16 A, various voltage ranges acc. to EN 60309
- Easy to transport in stainless steel carrying frame with large carrying handle, free-standing set-up on feet
- For use in Zones 1, 2, 21 and 22

E3

WebCode **8570B**



R. STAHL Series 8570/16 Zone 1 coupler sockets with switch socket are used to connect portable and fixed electrical equipment as well as cables and circuits in hazardous areas. Application range in Zone 1, 21 with full AC-3 switching capacity up to 16 A. With their stainless steel carrying frame with large carrying handle, they are easy to transport and can be positioned on the feet flexibly and securely.

	ATEX / IECEx					
Zone	0	1	2	20	21	22
Installation in		•	•		•	•

Selection Table							
Detailed number of poles		3 P (2 P + PE)					
Rated operational current		0 – 16 A					
Coding (clock hour position)	Rated operational voltage AC	Colour code	Frequency range	Product Type	Art. No.	PS	Weight kg
4	100 – 130 V	Yellow	50 – 60 Hz	8570/16-304	150660	10	2.100
6	200 – 250 V	Blue	50 – 60 Hz	8570/16-306	150662	10	2.100
Detailed number of poles		4 P (3 P + PE)					
Rated operational current		0 – 16 A					
Coding (clock hour position)	Rated operational voltage AC	Colour code	Frequency range	Product Type	Art. No.	PS	Weight kg
5	600 – 690 V	Black	50 – 60 Hz	8570/16-405	150667	10	2.350
6	380 – 415 V	Red	50 – 60 Hz	8570/16-406	150664	10	2.350
7	480 – 500 V	Black	50 – 60 Hz	8570/16-407	150665	10	2.350
Detailed number of poles		5 P (3 P + N + PE)					
Rated operational current		0 – 16 A					
Coding (clock hour position)	Rated operational voltage AC	Colour code	Frequency range	Product Type	Art. No.	PS	Weight kg
5	347 – 400 V / 600 – 690 V	Black	50 – 60 Hz	8570/16-505	150673	10	2.450
6	200 – 240 V / 346 – 415 V	Red	50 – 60 Hz	8570/16-506	150669	10	2.450
7	277 – 288 V / 480 – 500 V	Black	50 – 60 Hz	8570/16-507	150671	10	2.450

Technical Data
Explosion Protection

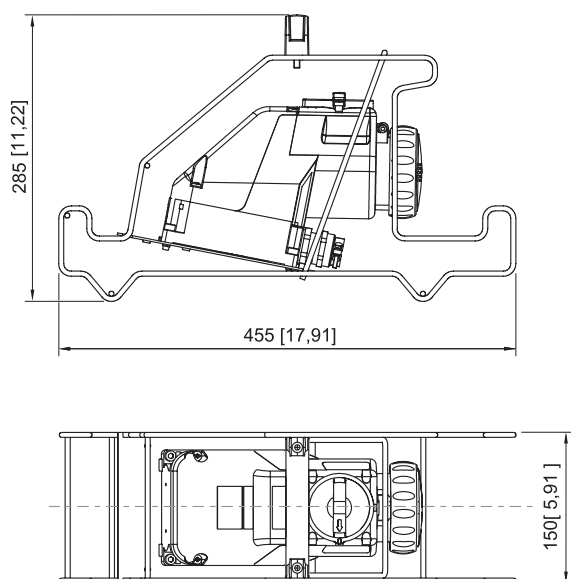
Ambient temperature °C	-30 ... +55 °C
Gas explosion protection IECEx	Ex db eb IIC T6 Gb
Gas explosion protection ATEX	Ⓔ II 2 G Ex db eb IIC T6 Gb
Dust explosion protection IECEx	Ex tb IIIC T80 °C Db
Dust explosion protection ATEX	Ⓔ II 2 D Ex tb IIIC T80 °C Db
Certificates	ATEX (PTB), Brazil (ULB), EAC (STV), IECEx (PTB)

Mechanical Data

Degree of protection (IP)	IP66
Enclosure material	Polyamide
Material mounting frame	Stainless steel

Components

Screw connections	1 x M25
Cable diameter	13 – 18 mm
Material of screw connections	Polyamide, black
Stopping plug	1 x M25
Stopping plug material	Polyamide, black

Dimensional Drawings (All Dimensions in mm [inches]) – Subject to Alterations


Coupler socket